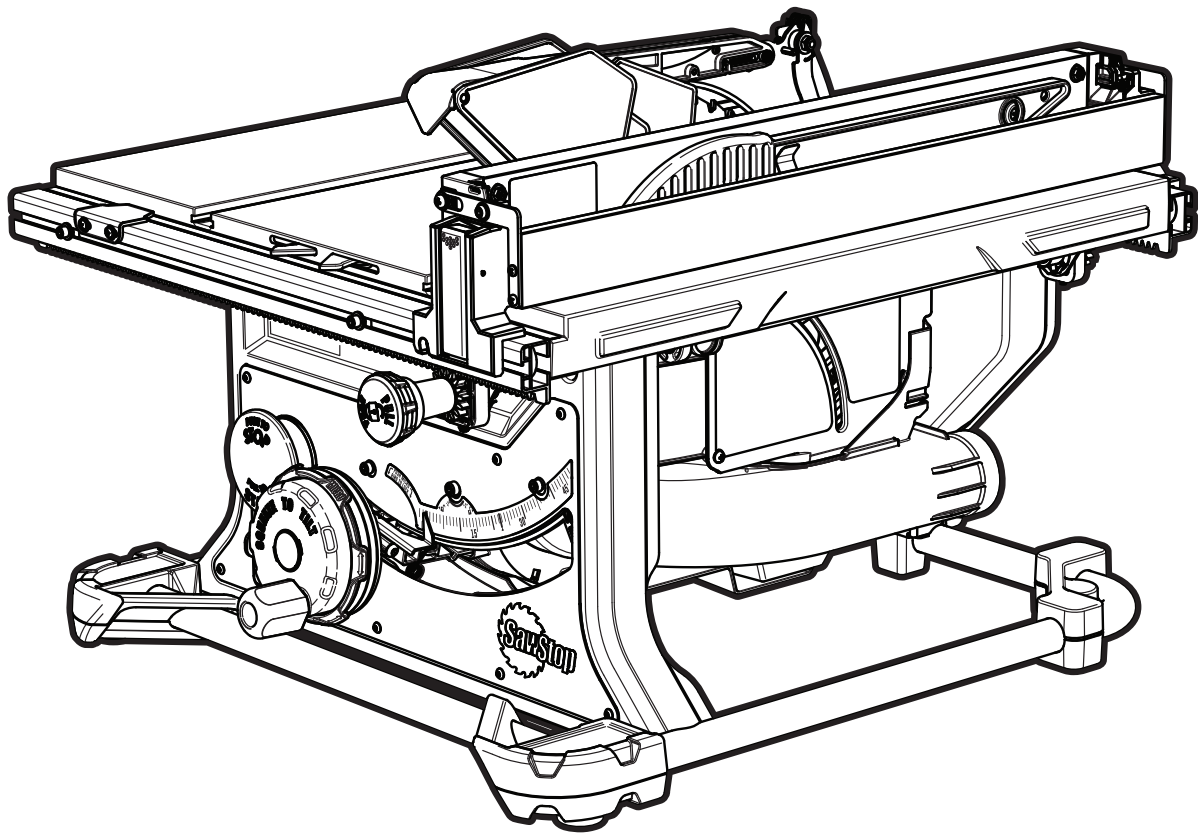




CTS-120A60 / CTS-120A60A / CTS-230A50I

COMPACT TABLE SAW

CTS™ Owner's Manual



Copyright SawStop, LLC
All Rights Reserved.

Published, November 2022

Updates of this manual may be available at www.SawStop.com

SawStop, the SawStop blade logo, and the configuration of this product are either registered trademarks or trademarks of SawStop, LLC. Software copyright by SawStop, LLC. All rights reserved. Protected by one or more of the following U.S. patents: 6857345, 6997090, 7024975, 7098800, 7100483, 7197969, 7210383, 7225712, 7231856, 7284467, 7308843, 7350445, 7481140, 7536238, 7600455, 7610836, 7644645, 7707918, 7788999, 7971613, 7991503, 7997176, 8011279, 8061245, 8079292, 8079295, 8087438, 8469067, 8489223, 8505424, 8646369, 9623498, 9724840, 9844891, 10022811, 10052786, 10071499, 10118308, 10442107, 10442108, 10864651, 10875210, 10882207, 10933554, 10967536, 11027452, 11098849, 11273504. Additional U.S. and foreign patents pending.

TABLE OF CONTENTS

WARRANTY	3
GENERAL POWER TOOL SAFETY WARNINGS	4
SAFETY INSTRUCTIONS FOR TABLE SAWS	6
ADDITIONAL SAFETY WARNINGS	8
THE SAWSTOP SAFETY SYSTEM	9
GET TO KNOW YOUR SAW	11
PREPARE YOUR SAW FOR USE	16
USE YOUR COMPACT TABLE SAW	21
CUT TYPES	25
SPECIFICATIONS AND REQUIREMENTS	30
CARE FOR YOUR SAW	33
TROUBLESHOOTING	48
WORK HELPERS	50
INDEX	52
CONTACT	56

WARRANTY

SawStop warrants to the original retail purchaser of a new Compact Table Saw from an authorized SawStop distributor that the saw will be free from defects in material and workmanship for ONE YEAR from the date of purchase.

This warranty does not apply to defects arising from misuse, abuse, negligence, accidents, normal wear-and-tear, unauthorized repair or alteration, or lack of maintenance. This warranty is void if the saw or any portion of the saw is modified without the prior written permission of SawStop, LLC, or if the saw is located or has been operated outside of the country where the authorized SawStop distributor from whom the saw was purchased resides.

Please contact SawStop to take advantage of this warranty. If SawStop determines the saw is faulty in material or workmanship, and not due to misuse, abuse, negligence, accidents, normal wear-and-tear, unauthorized repair or alteration, or lack of maintenance, then SawStop will, at its expense, and upon proof of purchase, send replacement parts to the original retail purchaser necessary to cure the defect. Alternatively, SawStop will repair the saw provided the saw is returned to SawStop, shipping prepaid, with proof of purchase and within the warranty period.






SawStop disclaims any and all other express or implied warranties, including merchantability and fitness for a particular purpose. SawStop shall not be liable for death, injuries to persons or property, or incidental, consequential, contingent or special damages arising from the use of the saw.

This warranty gives you specific legal rights. You may have other rights, which, in the United States, vary from state to state.



GENERAL POWER TOOL SAFETY WARNINGS

Symbols

SYMBOL	DEFINITION	SYMBOL	DEFINITION
	Read the instructions	min ⁻¹	per minute
	Warning of general danger	"	inch
	Additional information or tip	lb.	pound
V	volts	Kg	kilogram
A	amperes	∅	diameter
W	watt	°	angular degree
Hz	hertz	mm	millimeter
	alternating current	cm	centimeter
	protective earth	m	meter
n ₀	no load speed	CFM	cubic feet per minute
rpm	revolutions per minute	LPM	liters per minute

No Warranty of Safety

It is important to understand that the safety technology in SawStop table saws does not prevent contact with the blade — it minimizes the effect of the contact. If you do contact the spinning blade, the safety technology will stop the blade, and in most cases there will be no injury or only a small nick. However, you may incur a serious injury on a SawStop saw depending on factors such as the speed and direction your hand is moving when it contacts the blade and the type of blade you are using. Also, if you decide to use the saw in Bypass Mode (**see page 13**), the safety system will be disabled and will not activate in the event you contact the spinning blade.


Safety

A table saw is a dangerous tool and there are hazards inherent with using this saw. Some of these hazards are discussed in the following sections. Use common sense when operating the saw and use the saw only as instructed. You are responsible for your own safety.


Accessories

Use of accessories or attachments that are not approved may result in injury and may damage the saw. **See page 12** for a list of accessories included with the saw. Contact SawStop Service (**see page 56**) if you have questions about other accessories. **See page 13** for the optional stand.

Wood Dust

 Warning: Drilling, sawing, sanding or machining wood products can expose you to wood dust, a substance known to the State of California to cause cancer. Avoid inhaling wood dust or use a dust mask or other safeguards for personal protection. For more information go to www.P65Warnings.ca.gov/wood.

General Power Tool Safety Warnings

 **WARNING** Read all safety warnings, instructions, illustrations and specifications provided with this power tool. Failure to follow all instructions listed below may result in electric shock, fire and/or serious injury.

Save all warnings and instructions for future reference.

The term “power tool” in the warnings refers to your hand-operated (corded) power tool.

Work area safety

- a) **Keep work area clean and well lit.** *Cluttered or dark areas invite accidents.*
- b) **Do not operate power tools in explosive atmospheres, such as in the presence of flammable liquids, gases or dust.** *Power tools create sparks which may ignite the dust or fumes.*
- c) **Keep children and bystanders away while operating a power tool.** *Distractions can cause you to lose control.*

Electrical safety

- a) **Power tool plugs must match the outlet. Never modify the plug in any way.** *Unmodified plugs and matching outlets will reduce risk of electric shock.*
- b) **Avoid body contact with earthed or grounded surfaces, such as pipes, radiators, ranges and refrigerators.** *There is an increased risk of electric shock if your body is earthed or grounded.*
- c) **Do not expose power tools to rain or wet conditions.** *Water entering a power tool will increase the risk of electric shock.*
- d) **Do not abuse the cord. Never use the cord for carrying, pulling or unplugging the power tool. Keep cord away from heat, oil, sharp edges or moving parts.** *Damaged or entangled cords increase the risk of electric shock.*
- e) **When operating a power tool outdoors, use an extension cord suitable for outdoor use.** *Use of a cord suitable for outdoor use reduces the risk of electric shock.*
- f) **If operating a power tool in a damp location is unavoidable, use a residual current device (RCD) protected supply.** *Use of an RCD reduces the risk of electric shock.*

Personal safety

- a) **Stay alert, watch what you are doing and use common sense when operating a power tool. Do not use a power tool while you are tired or under the influence of drugs, alcohol or medication.** *A moment of inattention while operating power tools may result in serious personal injury.*
- b) **Use personal protective equipment. Always wear eye protection.** *Protective equipment such as a dust mask, non-skid safety shoes, hard hat or hearing protection used for appropriate conditions will reduce personal injuries.*

- c) **Prevent unintentional starting. Ensure the switch is in the off-position before connecting to power source and/or battery pack, picking up or carrying the tool.** *Carrying power tools with your finger on the switch or energizing power tools that have the switch on invites accidents.*
- d) **Remove any adjusting key or wrench before turning the power tool on.** *A wrench or a key left attached to a rotating part of the power tool may result in personal injury.*
- e) **Do not overreach. Keep proper footing and balance at all times.** *This enables better control of the power tool in unexpected situations.*
- f) **Dress properly. Do not wear loose clothing or jewelry. Keep your hair and clothing away from moving parts.** *Loose clothes, jewelry or long hair can be caught in moving parts.*
- g) **If devices are provided for the connection of dust extraction and collection facilities, ensure these are connected and properly used.** *Use of dust collection can reduce dust-related hazards.*
- h) **Do not let familiarity gained from frequent use of tools allow you to become complacent and ignore tool safety principles.** *A careless action can cause severe injury within a fraction of a second.*

Power tool use and care

- a) **Do not force the power tool. Use the correct power tool for your application.** *The correct power tool will do the job better and safer at the rate for which it was designed.*
- b) **Do not use the power tool if the switch does not turn it on and off.** *Any power tool that cannot be controlled with the switch is dangerous and must be repaired.*
- c) **Disconnect the plug from the power source and/or remove the battery pack, if detachable, from the power tool before making any adjustments, changing accessories, or storing power tools.** *Such preventive safety measures reduce the risk of starting the power tool accidentally.*
- d) **Store idle power tools out of the reach of children and do not allow persons unfamiliar with the power tool or these instructions to operate the power tool.** *Power tools are dangerous in the hands of untrained users.*
- e) **Maintain power tools and accessories. Check for misalignment or binding of moving parts, breakage of parts and any other condition that may affect the power tool's operation. If damaged, have the power tool repaired before use.** *Many accidents are caused by poorly maintained power tools.*
- f) **Keep cutting tools sharp and clean.** *Properly maintained cutting tools with sharp cutting edges are less likely to bind and are easier to control.*



g) Use the power tool, accessories and tool bits etc. in accordance with these instructions, taking into account the working conditions and the work to be performed. Use of the power tool for operations different from those intended could result in a hazardous situation.

h) Keep handles and grasping surfaces dry, clean and free from oil and grease. Slippery handles and grasping surfaces do not allow for safe handling and control of the tool in unexpected situations.

Service

a) Have your power tool serviced by a qualified repair person using only identical replacement parts. This will ensure that the safety of the power tool is maintained.

SAFETY INSTRUCTIONS FOR TABLE SAWS


Guarding related warnings

- a) Keep guards in place. Guards must be in working order and be properly mounted. A guard that is loose, damaged, or is not functioning correctly must be repaired or replaced.
- b) Always use saw blade guard, riving knife and anti-kickback pawls for every through-cutting operation. For through-cutting operations where the saw blade cuts completely through the thickness of the workpiece, the guard and other safety devices help reduce the risk of injury.
- c) Immediately reattach the guarding system after completing an operation (such as rabbeting) which requires removal of the guard, riving knife and/or anti-kickback pawls. The guard, riving knife, and anti-kickback pawls help to reduce the risk of injury.
- d) Make sure the saw blade is not contacting the guard, riving knife or the workpiece before the switch is turned on. Inadvertent contact of these items with the saw blade could cause a hazardous condition.
- e) Adjust the riving knife as described in this instruction manual. Incorrect spacing, positioning and alignment can make the riving knife ineffective in reducing the likelihood of kickback.
- f) For the riving knife and anti-kickback pawls to work, they must be engaged in the workpiece. The riving knife and anti-kickback pawls are ineffective when cutting workpieces that are too short to be engaged with the riving knife and anti-kickback pawls. Under these conditions a kickback cannot be prevented by the riving knife and anti-kickback pawls.

g) Use the appropriate saw blade for the riving knife.

For the riving knife to function properly, the saw blade diameter must match the appropriate riving knife and the body of the saw blade must be thinner than the thickness of the riving knife and the cutting width of the saw blade must be wider than the thickness of the riving knife.

Cutting procedures warnings

- a)  **DANGER:** Never place your fingers or hands in the vicinity or in line with the saw blade. A moment of inattention or a slip could direct your hand towards the saw blade and result in serious personal injury.
- b) Feed the workpiece into the saw blade only against the direction of rotation. Feeding the workpiece in the same direction that the saw blade is rotating above the table may result in the workpiece, and your hand, being pulled into the saw blade.
- c) Never use the miter gauge to feed the workpiece when ripping and do not use the rip fence as a length stop when cross cutting with the miter gauge. Guiding the workpiece with the rip fence and the miter gauge at the same time increases the likelihood of saw blade binding and kickback.
- d) When ripping, always apply the workpiece feeding force between the rip fence and the saw blade. Use a push stick when the distance between the rip fence and the saw blade is less than 150 mm, and use a push block when this distance is less than 50 mm. "Work helping" devices will keep your hand at a safe distance from the saw blade.
- e) Use only the push stick provided by the manufacturer or constructed in accordance with the instructions. This push stick provides sufficient distance of the hand from the saw blade.
- f) Never use a damaged or cut push stick. A damaged push stick may break causing your hand to slip into the saw blade.
- g) Do not perform any operation "freehand." Always use either the rip fence or the miter gauge to position and guide the workpiece. "Freehand" means using your hands to support or guide the workpiece, in lieu of a rip fence or miter gauge. Freehand sawing leads to misalignment, binding and kickback.
- h) Never reach around or over a rotating saw blade. Reaching for a workpiece may lead to accidental contact with the moving saw blade.
- i) Provide auxiliary workpiece support to the rear and/or sides of the saw table for long and/or wide workpieces to keep them level. A long and/or wide workpiece has a tendency to pivot on the table's edge, causing loss of control, saw blade binding and kickback.
- j) Feed workpiece at an even pace. Do not bend or twist the workpiece. If jamming occurs, turn the tool off immediately, unplug the tool then clear the jam. Jamming the saw blade by the workpiece can

cause kickback or stall the motor.

- k) **Do not remove pieces of cut-off material while the saw is running.** *The material may become trapped between the fence or inside the saw blade guard and the saw blade pulling your fingers into the saw blade. Turn the saw off and wait until the saw blade stops before removing material.*
- l) **Use an auxiliary fence in contact with the table top when ripping workpieces less than 2 mm thick.** *A thin workpiece may wedge under the rip fence and create a kickback.*

Kickback causes and related warnings

Kickback is a sudden reaction of the workpiece due to a pinched, jammed saw blade or misaligned line of cut in the workpiece with respect to the saw blade or when a part of the workpiece binds between the saw blade and the rip fence or other fixed object.

Most frequently during kickback, the workpiece is lifted from the table by the rear portion of the saw blade and is propelled towards the operator.

Kickback is the result of saw misuse and/or incorrect operating procedures or conditions and can be avoided by taking proper precautions as given below.

- a) **Never stand directly in line with the saw blade.** **Always position your body on the same side of the saw blade as the rip fence.** *Kickback may propel the workpiece at high velocity towards anyone standing in front and in line with the saw blade.*
- b) **Never reach over or in back of the saw blade to pull or to support the workpiece.** *Accidental contact with the saw blade may occur or kickback may drag your fingers into the saw blade.*
- c) **Never hold and press the workpiece that is being cut off against the rotating saw blade.** *Pressing the workpiece being cut off against the saw blade will create a binding condition and kickback.*
- d) **Align the rip fence to be parallel with the saw blade.** *A misaligned rip fence will pinch the workpiece against the saw blade and create kickback.*
- e) **Use a featherboard to guide the workpiece against the table and fence when making non-through cuts such as rabbeting cuts.** *A featherboard helps to control the workpiece in the event of a kickback.*

- f) **Use extra caution when making a cut into blind areas of assembled workpieces.** *The protruding saw blade may cut objects that can cause kickback.*
- g) **Support large panels to minimize the risk of saw blade pinching and kickback.** *Large panels tend to sag under their own weight. Support(s) must be placed under all portions of the panel overhanging the table top.*
- h) **Use extra caution when cutting a workpiece that is twisted, knotted, warped or does not have a straight edge to guide it with a miter gauge or along the fence.** *A warped, knotted, or twisted workpiece is unstable and causes misalignment of the kerf with the saw blade, binding and kickback.*
- i) **Never cut more than one workpiece, stacked vertically or horizontally.** *The saw blade could pick up one or more pieces and cause kickback.*
- j) **When restarting the saw with the saw blade in the workpiece, center the saw blade in the kerf so that the saw teeth are not engaged in the material.** *If the saw blade binds, it may lift up the workpiece and cause kickback when the saw is restarted.*
- k) **Keep saw blades clean, sharp, and with sufficient set. Never use warped saw blades or saw blades with cracked or broken teeth.** *Sharp and properly set saw blades minimize binding, stalling and kickback.*

Table saw operating procedure warnings

- a) **Turn off the table saw and disconnect the power cord when removing the table insert, changing the saw blade or making adjustments to the riving knife, anti-kickback pawls or saw blade guard, and when the machine is left unattended.** *Precautionary measures will avoid accidents.*
- b) **Never leave the table saw running unattended.** **Turn it off and don't leave the tool until it comes to a complete stop.** *An unattended running saw is an uncontrolled hazard.*
- c) **Locate the table saw in a well-lit and level area where you can maintain good footing and balance. It should be installed in an area that provides enough room to easily handle the size of your workpiece.** *Cramped, dark areas, and uneven slippery floors invite accidents.*
- d) **Frequently clean and remove sawdust from under the saw table and/or the dust collection device.** *Accumulated sawdust is combustible and may self-ignite.*
- e) **The table saw must be secured.** *A table saw that is not properly secured may move or tip over.*
- f) **Remove tools, wood scraps, etc. from the table before the table saw is turned on.** *Distraction or a potential jam can be dangerous.*

- g) **Always use saw blades with correct size and shape (diamond versus round) of arbor holes.** *Saw blades that do not match the mounting hardware of the saw will run off-center, causing loss of control.*
 - h) **Never use damaged or incorrect saw blade mounting means such as flanges, saw blade washers, bolts or nuts.** *These mounting means were specially designed for your saw, for safe operation and optimum performance.*
 - i) **Never stand on the table saw, do not use it as a stepping stool.** *Serious injury could occur if the tool is tipped or if the cutting tool is accidentally contacted.*
 - j) **Make sure that the saw blade is installed to rotate in the proper direction. Do not use grinding wheels, wire brushes, or abrasive wheels on a table saw.** *Improper saw blade installation or use of accessories not recommended may cause serious injury.*
- 3) Use the proper extension cord. Make sure your extension cord is in good condition. When using an extension cord, be sure to use one heavy enough to carry the current your saw will draw. An undersized cord will cause a drop in line voltage resulting in loss of power and overheating. For a cord length of 0 to 25 feet, use a 12 gauge (4 mm²) cord. For a cord length of 25 to 50 feet, use a 10 gauge (6 mm²) cord. A cord length over 50 feet is not recommended. If in doubt, use the next heavier gauge. The smaller the gauge number, the heavier the cord.
 - 4) This saw is intended for use on a circuit that has an outlet that looks like the one illustrated later in this manual (**see page 31**). The saw has a grounding plug that looks like the plug illustrated later in this manual (**see page 31**). Make sure the saw is connected to an outlet having the same configuration as the plug. An adapter may be used temporarily for a two-prong outlet. The grounding lug or tab on the adapter must be connected to the ground connection on a properly grounded outlet (**see page 31**). If the saw must be reconnected for use on a different type of electric circuit, the reconnection should be made by qualified service personnel; and after reconnection, the saw should comply with all local codes and ordinances.
 - 5) You must use the rip fence when using this saw for rip cutting. Attempting to use the saw for rip cutting without the rip fence could result in serious personal injury.
 - 6) Use a blade guard and spreader for every operation for which it can be used, including all through-sawing. Use a push stick or push block when required.
 - 7) Use only recommended accessories with the saw. Consult this manual for recommended accessories (**see page 4**). The use of improper accessories may cause risk of injury. When servicing, use only identical replacement parts.
 - 8) Devices that emit electrical noise in the range of 400-600 kHz might cause the brake cartridge to activate. Keep such devices away from the saw.
 - 9) Always connect the saw to a an RCD (residual current device) (**see page 32**) having a rated residual current of 30 mA or less.

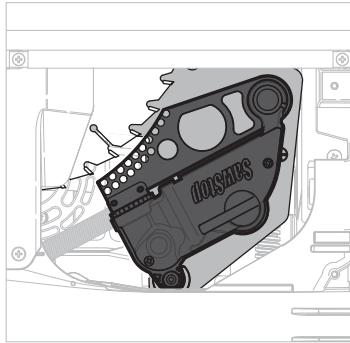
ADDITIONAL SAFETY WARNINGS

- 1) This saw must be connected to a grounded wiring system or to a system having an equipment-grounding conductor (**see page 31**). In the event of a malfunction or breakdown, grounding provides a path of least resistance for electric current to reduce the risk of electric shock. This saw is equipped with an electric cord having an equipment-grounding conductor and a grounding plug. The plug must be plugged into a matching outlet that is properly installed and grounded in accordance with all local codes and ordinances. Do not modify the plug provided - if it will not fit the outlet; have the proper outlet installed by a qualified electrician. Improper connection of the equipment-grounding conductor can result in a risk of electric shock and/or malfunction. If repair or replacement of the electric cord or plug is necessary, do not connect the equipment-grounding conductor to a live terminal.
- 2) Check with a qualified electrician or service personnel if the grounding instructions are not completely understood or if in doubt as to whether the saw is properly grounded. Use only 3-wire extension cords that have 3-prong grounding plugs and 3-pole receptacles that accept the saw's plug (**see page 31**). Repair or replace a damaged or worn cord immediately.

THE SAWSTOP SAFETY SYSTEM

Essential information about the SAWSTOP SAFETY SYSTEM

The Compact Table Saw is equipped with **SawStop's active injury mitigation (AIM) technology**. This revolutionary technology was developed to reduce the potential for a serious injury in the event of accidental contact with the saw blade.



Because of the AIM technology, your SawStop saw operates differently than ordinary table saws, and there are a few important points to keep in mind as you use the saw.

1) Do not rely on the safety system to protect against unsafe operation.

Although the system is designed to react and stop the blade very quickly in the event of accidental contact, it cannot react until contact is detected. This means that you may receive at least a minor injury. Therefore, always use safe operating practices, and use the blade guard, push stick and other safety devices whenever possible. The safety system, like the airbag in a car, should be considered as a last measure to minimize injury when all other safety practices and devices have failed to prevent an accident.

2) In the event of contact, the blade will be stopped in about 3–5 milliseconds (coarse-toothed blades stop more quickly than fine-toothed blades such as plywood blades).

Therefore, the seriousness of the injury incurred will depend on the speed at which a person's hand or other body part is moving toward the blade. At faster speeds, it is possible to be seriously injured even with a SawStop saw.

3) Your SawStop saw includes a Bypass Mode (see page 13) that allows you to cut electrically conductive materials. Do not operate the saw in Bypass Mode unless you are cutting electrically conductive material. When Bypass Mode is engaged, the safety system will not activate if contact is detected and a serious injury could result if you contact the blade.

4) The motor cannot be started without a blade installed.

Since the safety system disables the motor if the blade is spaced too far from the brake, a missing blade will be detected as a blade-to-brake spacing error and the motor will be disabled.

5) Blades: You can use any standard 10-inch or 250mm saw blade, but not a Dado set, with your SawStop Compact Table Saw (see page 30).

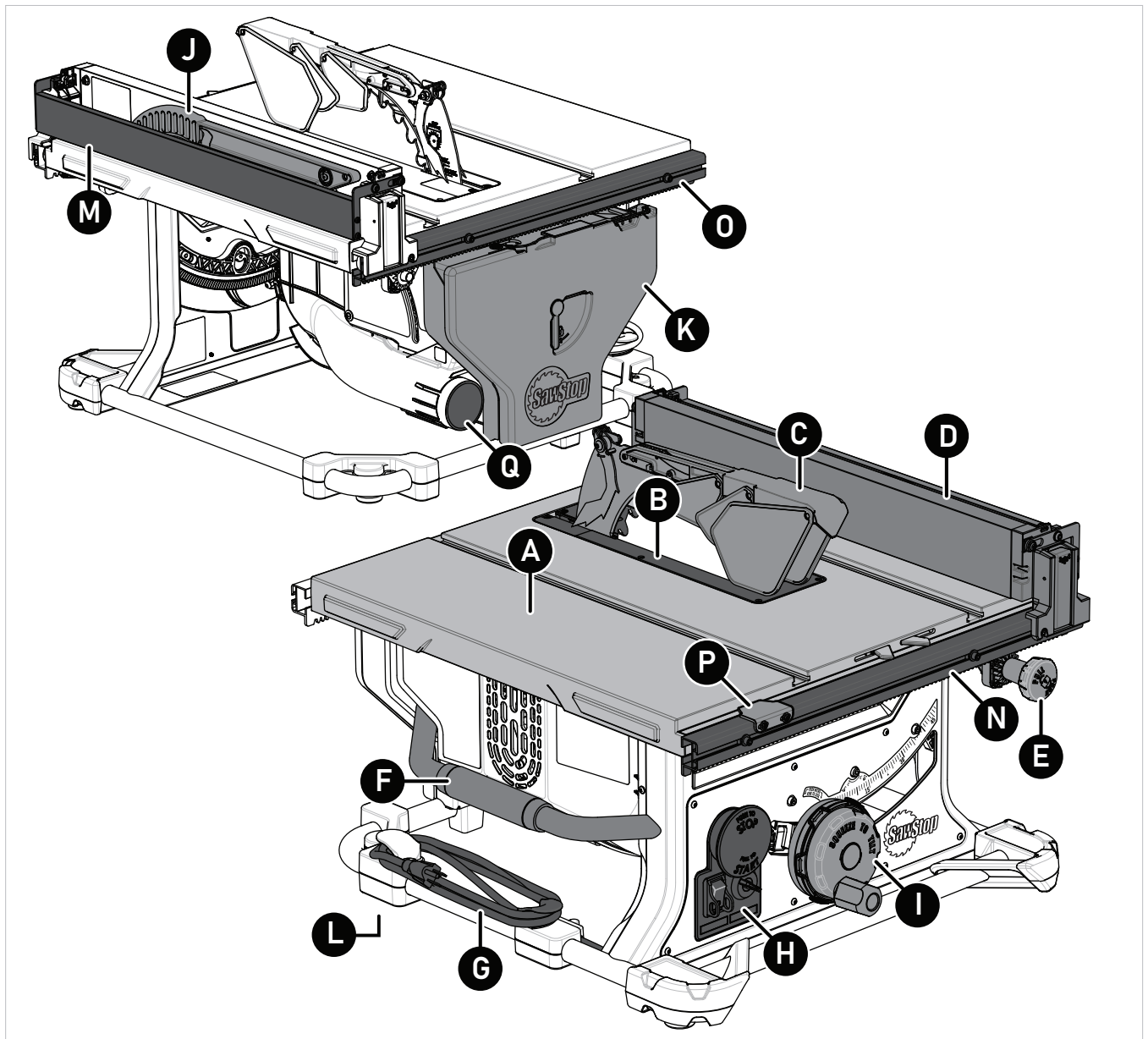
The following precautions should be observed:

- a) Never attempt to use a blade other than a single 10-inch or 250mm blade. Never attempt to use a Dado set. The compact table saw is not compatible with blade diameters less than 10 inches or 250mm. The use of smaller diameter blades could result in a serious injury because the brake cannot be positioned correctly to stop these blades.
- b) Do not use molding heads. The use of molding heads could result in a serious injury because the brake cartridge is not designed to stop a molding head.
- c) Never use a blade with damaged or missing teeth as this can result in a more serious injury or an activation of the brake. Blades with variable spacing between teeth are compatible with your SawStop saw, however you must ensure the brake is positioned correctly by rotating the blade at least one full revolution to be certain that none of the teeth touch the brake.
- d) Never install the blade backwards. The brake might not stop a blade that is installed backwards.
- e) Do not use saw blades that have a lacquer or other coating on the teeth. These coatings are non-conductive and therefore can reduce the speed at which the system detects contact. Used blades that originally had a coating are OK to use since the coating is worn away within a few uses. However, SawStop recommends that you examine each tooth on such blades to confirm that no coating remains.
- f) Blades with depth-limiting shoulders may take longer to stop in the event of an accident than standard blades, and you could receive a more serious injury. Therefore, SawStop recommends using blades without depth-limiting shoulders.

- g) The SawStop safety system is designed for use with standard 10-inch or 250mm blades with kerfs from 3/32 inch to 3/16 inch. Blades with kerfs much thinner than 3/32 inch should not be used because those blades might not be strong enough to withstand the force applied by the brake when it activates. As a result, those blades might deform and stop more slowly in the event of an accident, resulting in a more serious injury. Blades with kerfs much thicker than 3/16 inch are heavier than standard 1/8-inch kerf blades, and should not be used because they may stop more slowly than standard blades in the event of an accident, resulting in a more serious injury. Similarly, stacks of two or more blades should never be used on your SawStop saw as the combined weight of the blades may be too heavy to stop quickly.
- h) Do not use non-conductive blades, including abrasive blades, blades with plastic hubs, or blades that have non-conductive teeth. Only standard steel blades with either steel or carbide teeth should be used.
- 6) Do not use table inserts, guards, fences or other devices which have metal parts that may get into contact with the blade. **Any metal part that contacts the blade may cause the brake to activate.** All SawStop accessories are specifically designed to prevent metal contact with the blade.
- a) SawStop recommends maintaining a gap of at least 1/8" between the blade and any conductive surfaces to avoid any chance of activation. One example is while using a metal miter fences. Applications that require the miter fence to be closer to the blade should be completed with a non-conductive miter fence attachment.
- 7) **Wet, pressure-treated wood may cause the brake to activate.**
- The chemicals used to pressure-treat wood often contain large amounts of copper, which is conductive. When pressure-treated wood is wet, the combination of copper and water substantially increases the conductivity of the wood. Therefore, allow wet pressure-treated wood to fully dry before cutting. Typically, the wood will be sufficiently dry if left unstacked in a dry location for 24 hours. If you must cut wet pressure-treated wood, you can make several cuts in the wettest piece(s) using the Bypass Mode to test whether the wood is too wet. See the instructions on starting the saw in Bypass Mode (**see page 24**) and how to test the conductivity of a material. If the test indicates the wood is too wet to cut with the safety system active, you must either allow the wood to dry or make the remaining cuts in Bypass Mode.
- 8) **Never touch the arbor, arbor nut or arbor washer when the blade is spinning** because you may receive a serious injury. These parts are all electrically coupled to the blade and the brake will activate if contact with these parts is detected.
- 9) **Never reach under the blade while it is spinning.** In the event the brake is activated, the retraction of the blade may cause a serious injury if you contact the bottom of the blade.
- 10) **Do not remove the dust shroud** because a large portion of the blade will be exposed. If you contact the blade under the table, the blade may retract toward you and cause a severe injury.
- 11) **Do not unplug or disconnect the saw from electrical power before the blade has stopped spinning.**
- If the power is interrupted while the blade is moving, the safety system will not be active and therefore the brake will not activate in the event of accidental contact. You may receive a serious injury if you contact the spinning blade while the electrical power has been interrupted.
- 12) **Never attempt to disable the SawStop safety system or modify the electrical wiring of the saw** in any way. Any change or modification or disablement of the safety system or other wiring could result in a serious injury and will void all warranties.
- 13) **Never attempt to repair, adjust, modify or otherwise service a brake cartridge.** There are no user serviceable parts inside the brake cartridge. The brake cartridge is permanently sealed against dust and other contaminants. Destruction, removal, or alteration of this seal voids all warranties.

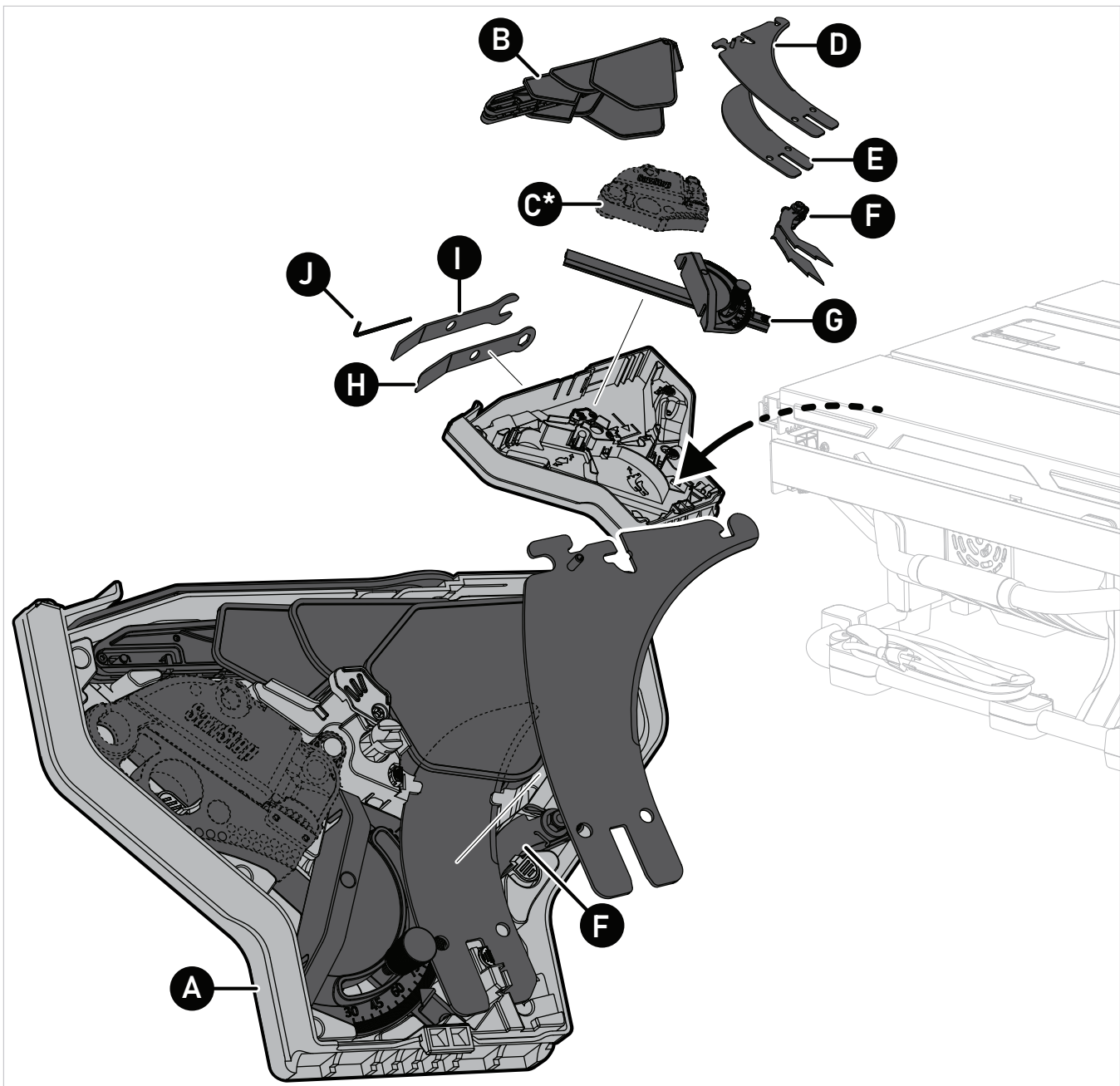
GET TO KNOW YOUR SAW

Overview



- | | |
|------------------------|----------------------------------|
| A. Table | J. Push Stick |
| B. Insert | K. Accessory Storage Compartment |
| C. Blade Guard | L. Leveling Foot |
| D. Rip Fence | M. Shelf and Low Fence |
| E. Rip Width Control | N. Fence Rail, Front |
| F. Carry Handle | O. Fence Rail, Rear |
| G. Power Cord | P. Position Indicator Lens |
| H. Power Controls | Q. Dust Collection Connection |
| I. Bevel and Elevation | |

Accessories



- | | |
|----------------------------------|-----------------------------------|
| A. Accessory Storage Compartment | G. Miter Gauge |
| B. Micro Guard | H. Arbor Nut Wrench |
| C. Brake Cartridge* | I. Arbor Flange Wrench |
| D. Spreader | J. Hex-Key Wrench |
| E. Riving Knife | K. Stand (Optional) (See page 13) |
| F. Anti-Kickback Pawls | |

* A brake cartridge is included with and installed on the saw. You can also purchase an additional brake cartridge (C) (see page 56) and keep in the storage compartment (the extra brake cartridge is shown as-stored in the accessory storage compartment).

⚠ Use only the CTS-compatible version TSBC-10R3 of the brake cartridge. (Check the part number and suitability on packaging.) Previous versions of the brake cartridge are not compatible with the Compact Table Saw.

Stand (Optional)

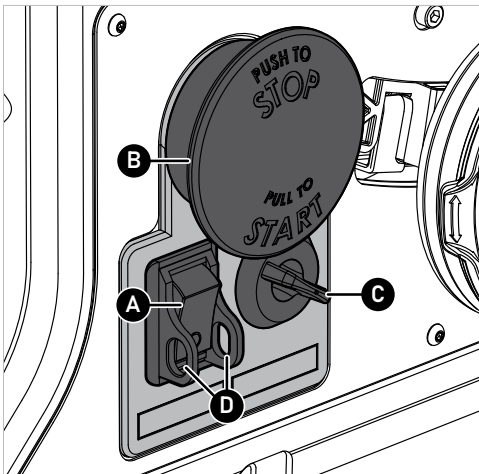
You can mount the saw on the optional SawStop folding stand (part number CTS-FS; to order see page 56).

To learn how to mount the saw on the stand see the instructions included with the stand.



Power Controls

- (A) Main power switch
- (B) Start/stop paddle
- (C) Bypass mode switch, with lockout feature (see page 25)
- (D) Lockout slots



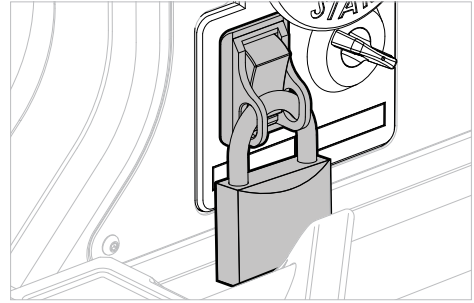
Use the main power switch to control power to the saw.

Use the start/stop paddle to turn the motor on (spin the blade) and off (see page 23).

Use the bypass mode switch (see page 13) to activate bypass mode and to disable bypass mode.

Lockout

Place a padlock through the lockout slots to prevent the saw from being turned on.



Normal Mode & Standby Mode

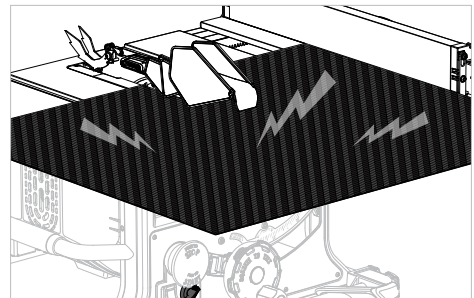
Normal Mode is the regular operating mode when the saw is running, the mode you use to cut non-conductive materials.

Standby Mode is when the saw is not running but ON.

i The safety system is active in both modes.

Bypass Mode

Use **Bypass Mode** to 1) determine if a material is conductive 2) disable the safety system so you can cut conductive materials. (See page 24)



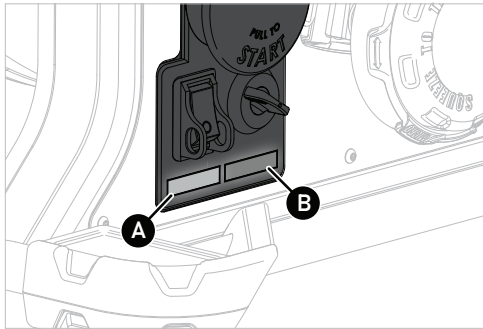
! There is no protection in Bypass Mode; the brake will not activate if your skin touches the spinning blade. Use Bypass Mode only to test a material for conductivity and to cut conductive materials.

Status Light Codes

The green (A) and red (B) lights under the power controls indicate the status of the saw. The lights can display individually or in combination, depending on the status. Either light can flash slowly or quickly. Either light can display as solid.

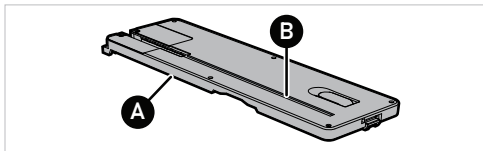
The red light can flash once indicating the saw is in Bypass Mode.

(See page 21 for a listing of the status light codes.)



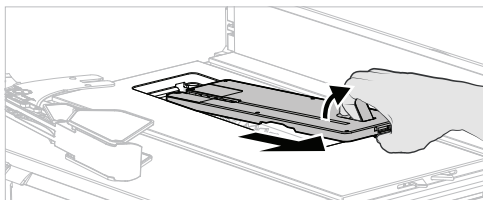
Zero-Clearance Insert

Your Compact Table Saw uses a 'zero-clearance' insert (A). The zero clearance slot (B) is pre-cut at the factory. The zero-clearance slot maximizes support under narrow cuts and reduces risk of kickback. You will need to cut the slot in replacement inserts (see page 35).



How to Remove the Insert

To remove the insert, lift the latch and simultaneously lift and pull the insert toward you.



Blade Guard

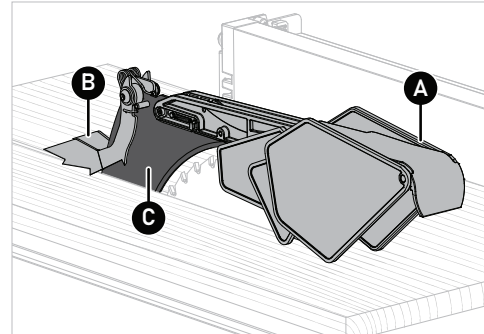
The blade guard consists of a micro guard (A), anti-kickback pawls (B) and spreader (C). Always use the blade guard when making through-cuts. Use the low fence (see page 17) for thin cuts and narrow cuts.

The micro guard helps prevent contact with the blade.

The anti-kickback pawls help reduce the likelihood of kickback.

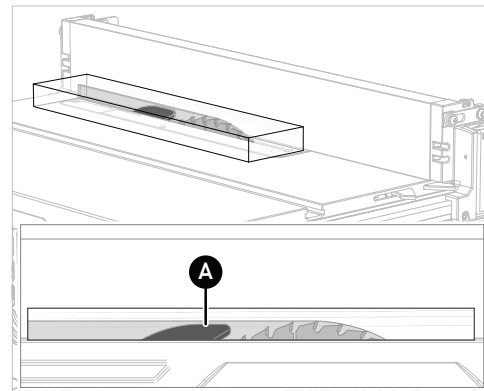
The spreader provides a mount for the micro-guard and anti-kickback pawls and helps prevent pinching and binding, which reduces the likelihood of kickback. See page 18 to learn how to assemble the blade guard.

! Always use the blade guard whenever possible. If the cut type will not permit use of the blade guard, use the riving knife (see page 25).



Riving Knife

Like the spreader, the riving knife (A) helps prevent pinching and binding, which reduces the likelihood of kickback.



Use the riving knife instead of the blade guard when 1) a rip cut is too narrow for clearance between the blade guard and the rip fence or 2) you are making a non-through cut (the blade does not pass all the way through the thickness of the material), as shown in the illustration, above.

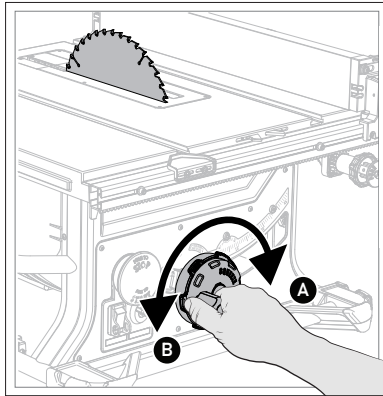
Only use the riving knife when the cut will not permit use of the blade guard. Otherwise, always use the blade guard.

! Always use the blade guard whenever possible. If the cut type will not permit use of the blade guard, use the riving knife (see page 25).

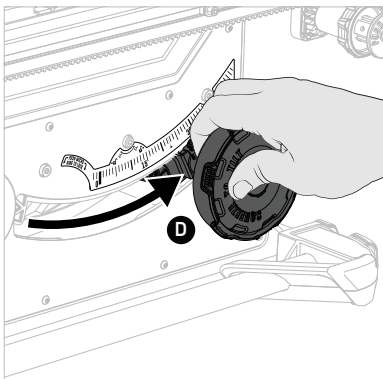
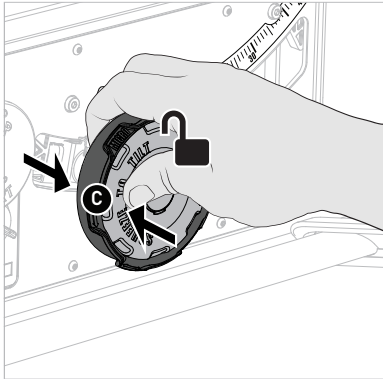
Integrated Blade Control

Elevation and bevel are combined in one control.

Rotate the wheel clockwise to raise the blade (A), counter-clockwise to lower the blade (B).



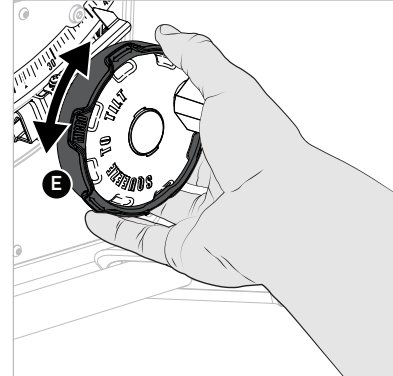
Squeeze and hold to unlock the bevel control (C), and then set the bevel (D).



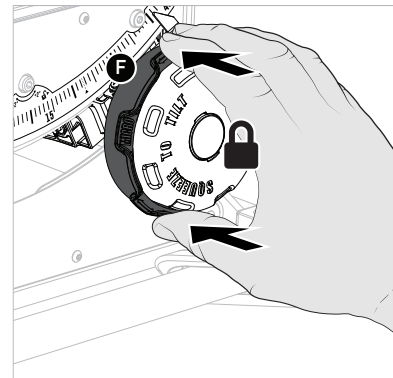
The bevel wheel has three positions:

- Unlocked, when you squeeze the wheel
- Middle; the wheel snaps to this position when you stop squeezing the wheel
- Locked, when you push the wheel towards the saw

With the bevel wheel in the middle position, turn the wheel to fine-tune the bevel, as needed (E).



Push the wheel to lock the bevel (F).

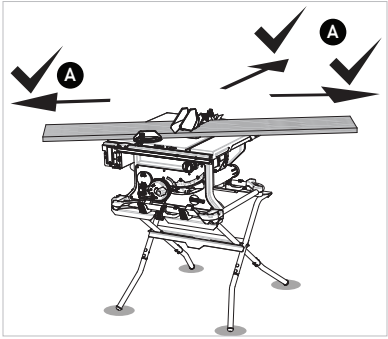


PREPARE YOUR SAW FOR USE

Solid, Level & Clearance

Place the saw on a solid and level working surface. If using the saw on the optional stand (see page 13), place the stand on solid level ground or floor.

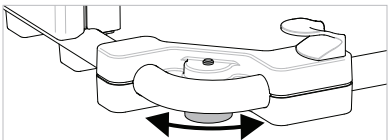
Make sure there is enough space around the saw so that you can cut the workpiece without interference (A).



Also, make sure the workpiece is not too large to safely control as you make the cut. Make sure that you are able to prevent the workpiece from overbalancing as you pass the workpiece across the table and complete the cut.

Leveling Foot

You can adjust the leveling foot, as needed, when placing the saw on a surface. If mounting the saw on the stand, screw the leveling foot all the way in (towards the frame).

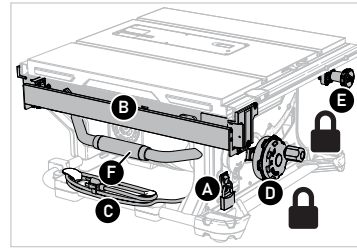


How to Transport & Store

To transport or store the saw:

- Turn off the saw, and then lock out the power switch (A) (see page 13).
- Place the rip fence in the storage position (B).
- Remove the blade guard, and then disassemble and place the parts in the accessory storage compartment (See page 4).
- Fully lower the blade.
- Wind the power cord (C).
- Make sure the bevel control is locked (D).
- Make sure the rip-width control is locked (E).

- Use the carry handle (F) to carry the saw and the frame rail on the opposite side, as needed. The saw weighs 68 lbs (31 kg).

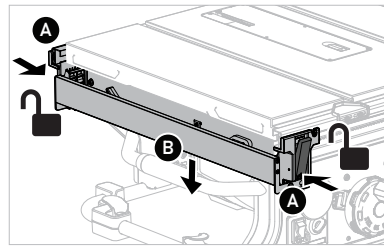


How to Place the Rip Fence

Use the rip fence for all rip cuts (see page 25).

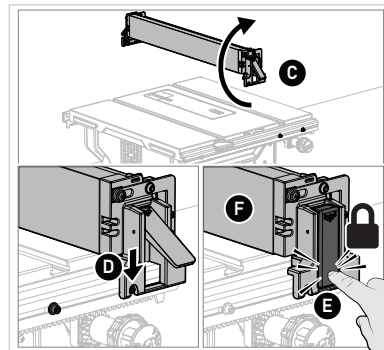
Move the rip fence from the storage location to a working position:

1. Push the two latches (A) (one on either end of the rip fence) to unlock. Lower the rip fence (B) away from the rails.



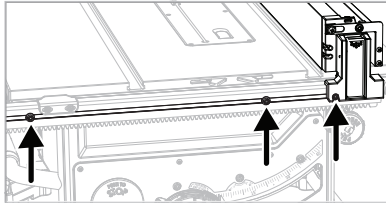
- ⚠ To help reduce the risk of kickback, always use the rip fence for rip cuts (with the grain). DO NOT use the rip fence for cross cuts. Use the miter gauge for cross cuts (see page 26).**

2. Flip the rip fence over (C), and then place on the adjustable lugs (D) (see the next image), and then push the latches to lock the rip fence (E). Make sure the working face (F) is towards the blade.




Adjustable Mounting Lugs

There are three sets of adjustable lugs (three lugs on the front rail, three lugs on the rear rail). You must mount the rip fence on one of the lug sets.



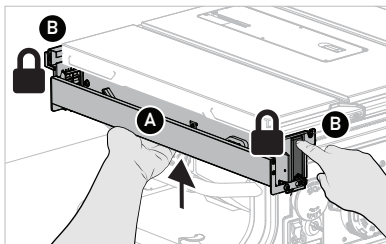
- Use the lug set that's to the right of the blade, farthest from the blade, for rip cuts in general or to use the saw's widest rip capacity.
- Use the lug set that's to the right of the blade, nearest the blade, for rip cuts in general.
- Use the lug set to the left of the blade if you need to make a rip cut on that side of the saw.

See page 22 to learn how to set rip width.

 **Make sure you place the rip fence on the correct set of mounting lugs so that the face of the rip fence is parallel to the saw blade.**

How to Store the Rip Fence

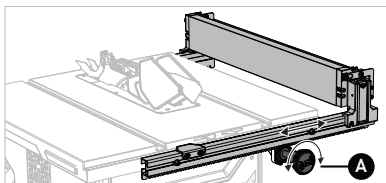
With the rip fence upside down, place and hold (A) the rip fence under the left side of the table, on the lugs, and then lock the latches on both sides of the rip fence (B).



Rip Width Control

Use the rip width control (A) to set the rip fence to the desired rip cut width (see page 22).

See page 22 to learn how to use the ruler to set rip width.

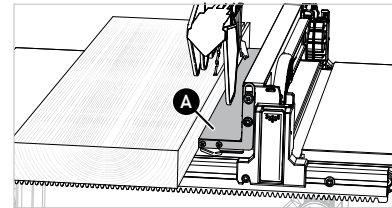


Low Fence

The low fence (A) has two positions so you can use the mechanism as a low fence or as a shelf.

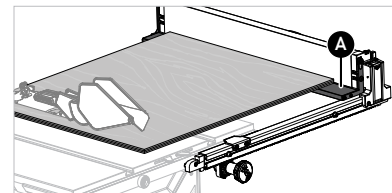
Use the low fence position to make narrow rip cuts (see page 23) and still permit use of the blade guard.

When using the low fence, subtract 2 inches (50.8mm) from the ruler to allow for the width of the low fence.



Shelf

Use the shelf position (A) to support workpieces when the rip fence is extended to the right such that the workpiece could over-center and tip down (see page 23).

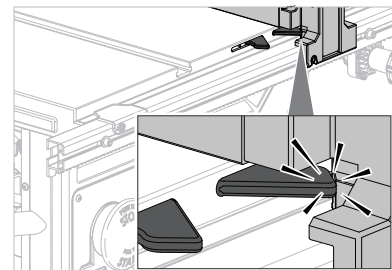


For instructions on adjusting the vertical shelf position at full extension, please see the Compact Table Saw Service Manual, available at <https://www.sawstop.com/wp-content/uploads/2022/09/CTS-Puck-Adjustment-Procedure.pdf>

Fence Stops

If the fence contacts the blade, the brake cartridge will activate. The fence stops are designed to prevent the rip fence from contacting the blade when:

- The rip fence is mounted to the right of the blade on the mounting lugs closest to the blade
- The rip fence is mounted on the lugs to the left of the blade



If required, you can override the fence stops by pushing and holding them in while you adjust the rip fence to pass over the stops. In this situation, take extra care that you do not cause the rip fence to contact the blade, which will result in an activation.

⚠ When the fence stops are retracted, you must use extra caution to prevent contacting the blade with the rip fence.

The low fence is typically used when you need to make a cut that is narrower than the stops permit (see page 17). Always use extra caution when using the low fence as the fence stops will not prevent the low fence from contacting the blade.

⚠ Never override the fence stops to make a narrow cut. Always use the low fence to make narrow cuts.

Kickback, Anti-Kickback Features & Precautions

Kickback occurs when the blade throws the workpiece towards the front of the saw, often upwards, towards you. Kickback occurs suddenly and violently, and has the potential to cause serious bodily injury and property damage. Kickback is an ever present danger with any circular saw.

The most typical condition for kickback is when the workpiece binds against the sides of the blade. Kickback can also occur if the workpiece is allowed to ride up onto the top of the blade.

Your Compact Table Saw includes design features and devices to help minimize the chance of kickback, however, reducing the chance of kickback depends just as much on your cutting techniques and practices. Understand and use your saw's anti-kickback features and devices and use safe cutting practices. Use safe practices consistently; it only takes one exception, compromise or careless move to create the conditions necessary for kickback.

Safe cutting practices include, but are not limited to, the following:

- Once you establish a cutting direction do not allow the workpiece to deviate from that direction.
- Always use the spreader or riving knife. Wood can contain natural tension which may be released as you cut. Without a spreader or riving knife, that tension could then pinch the blade.
- Never cut freehand; always use the miter gauge for cross cuts and the rip fence for rip cuts (see page 25).
- Always hold the workpiece firmly against the cutting aids, for example, the table top, the miter gauge or the rip fence. As you pass the workpiece along the blade, make sure the workpiece is restrained in side-to-side movement and vertical movement.
- Always use sharp, high-quality blades. A dull or imprecise blade is more likely to grab and throw a workpiece. A dull blade is a dangerous blade.

How to Assemble the Blade Guard

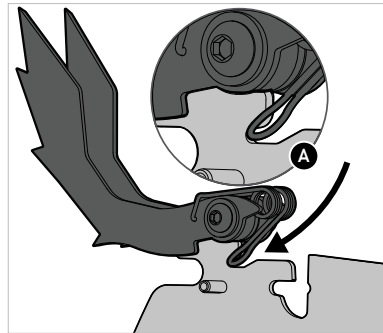
The chief device to help prevent kickback is the blade guard. Make sure the blade guard is assembled correctly and functioning properly.

Anti-Kickback Pawls

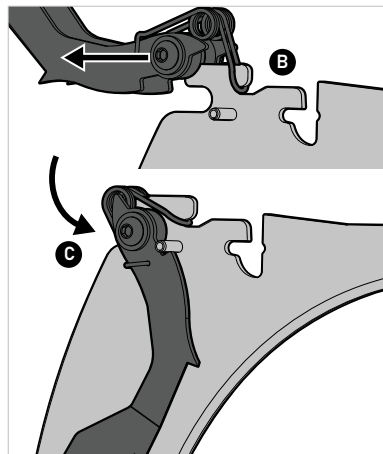
The blade guard is stored in the accessory storage compartment in three pieces: the spreader, the anti-kickback pawls and the micro guard.

Attach the anti-kickback pawls to the spreader:

1. Place the loop end of the spring in the notch located near the back of the spreader (A).

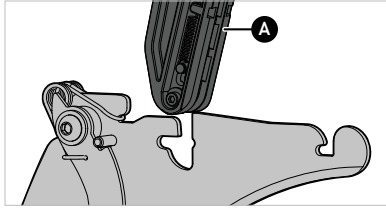


2. Pull the pawl bushing over (B) and into the rear slot (C).

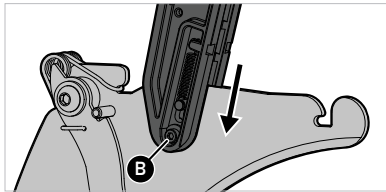


Micro Guard

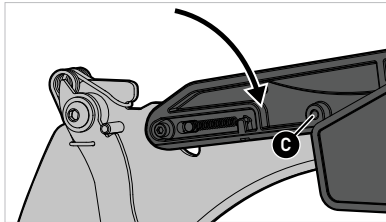
Next, attach the micro guard (A) to the spreader:



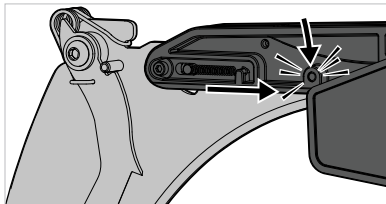
1. Slide the rear pin (B) into the middle slot.



2. Pivot the micro-guard towards the spreader. The front pin (C) will contact the top of the spreader.



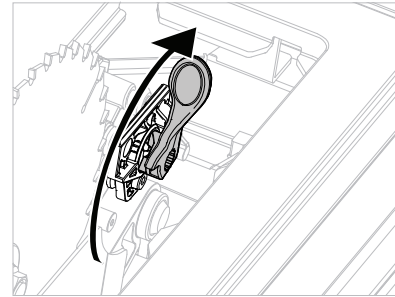
3. Pull and pivot the micro-guard until the front pin pops into the front slot.



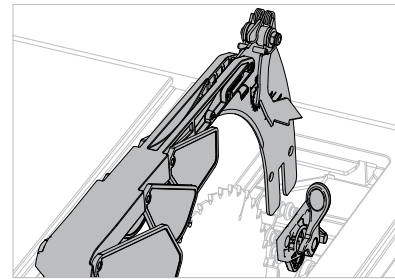
How to Attach the Blade Guard or Riving Knife

i The following instructions apply to both the riving knife and the blade guard.

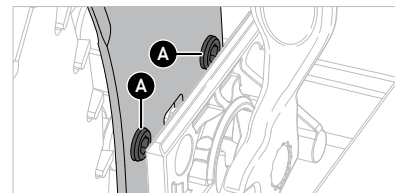
1. Remove the table insert.
2. Turn the elevation wheel clockwise to fully raise the blade.
3. Pivot the handle up to open the clamp for the blade guard.



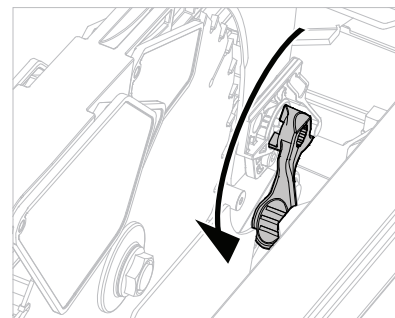
4. Insert the blade guard or riving knife into the clamp.



5. Fit the two holes in the spreader over the mounting pins (A).



6. Pivot the handle down to close the clamp.

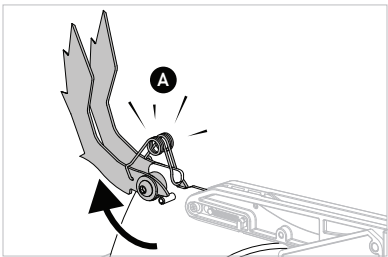


See page 41 to learn how to adjust clamping force.

How to Disable the Anti-Kickback Pawls

The anti-kickback pawls help reduce the chance of kickback and potential injury or property damage. The pawls are spring-loaded and designed to engage the workpiece if the workpiece moves towards the front of the saw. The pawls ride against the top of the workpiece as you make the cut. As you finish the cut, push the workpiece entirely past the back of the blade and the pawls, disengaging the workpiece from the pawls. The pawls are used for any cutting situation where the blade guard is used. It's also possible to disable the pawls for exceptions as needed.

1. Rotate both pawls up until they over-center (A) and remain in the up and disabled position. You must rotate both pawls simultaneously.



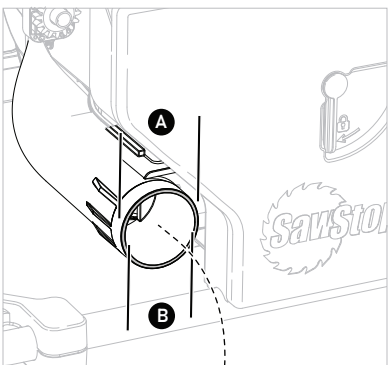
To enable the pawls, rotate the pawls back down into the working position.

⚠ Disable the anti-kickback pawls only for exceptions.

How to Attach a Dust Collector

Your Compact Table Saw uses a below-table dust collection design; we recommend that you connect a dust collection system to the outlet port on the dust shroud.

Connect a dust collection system, which provides at least 170 CFM (4800 LPM) of airflow, to the dust port at the back of the saw. You can attach it to the outer diameter or inner diameter of the port. The outer diameter (A) is 2.5" (65 mm). The inner diameter (B) is 2.3" (58 mm).



Always use a dust collection system when making

cuts. Keep the system free of accumulated dust and debris.

For more information, see:

Woodshop Dust Control
by Sandor Nagyszalanczy
Tauton Press, 2002

⚠ WARNING! Some types of dust created by sawing, power sanding, grinding, drilling, and other construction activities contain chemicals known to cause cancer, birth defects or other reproductive toxicity or harm. Some examples of these chemicals are lead from lead-based paints, crystalline silica from bricks, cement, and other masonry products, and arsenic and chromium from chemically treated lumber. In addition, wood dust has been listed as a known human carcinogen by the U.S. government. The risk from exposure to these chemicals and to dust varies depending on how often you do this type of work. To reduce your exposure, work in a well ventilated area and work with approved safety equipment including dust masks or respirators designed to filter out such dust and chemicals.

Personal Protective Equipment (PPE)

Always wear eye protection and ear protection when using the saw. Use gloves when changing blades.

USE YOUR COMPACT TABLE SAW

Status Lights & Codes

The green and red lights under the power switch indicate the status of the saw. The lights function independently or in combination, depending on the status. Either light can flash slow or fast, or be on continuously. The red light can flash once indicating the saw is in Bypass Mode (see page 24).

Error codes not listed on the label may also appear. If you are not able to identify the code or resolve an error situation, contact the SawStop Service department at 503-582-9934 or service@sawstop.com (see page 56).

See the following descriptions of the status conditions.

STATUS LIGHTS		
<p>Starting Up</p>	<p>Blade Contact During Bypass</p>	<p>Brake Cartridge Key Error</p>
<p>Ready or Running</p>	<p>Overload Due to Moisture</p>	<p>Small or Missing Blade</p>
<p>Coasting Down</p>	<p>No Blade Rotation</p>	<p>Replace Cartridge</p>
<p>Bypass Mode ON</p>	<p>Paddle OUT (Push In to clear)</p>	<p>Switchbox Error</p>
<p>Blade Contact While Stopped</p>		

Bypass Mode On

The saw is running in Bypass Mode and **will NOT activate** the brake cartridge if you contact the spinning blade. Bypass Mode allows you to cut electrically conductive materials without activating the brake. When the saw is in Bypass Mode, the safety system disables the brake (see page 13).

⚠ THERE IS NO PROTECTION IN BYPASS MODE; the brake will not activate if you touch the spinning blade. Use Bypass Mode only to test a material for conductivity and to cut conductive materials. Use extra caution in Bypass Mode.

Paddle Out

The Start/Stop paddle is in the ON position (pulled out) before you turn on the power switch. Push the paddle in to the OFF position to clear this code. This is a safety feature to prevent the saw from restarting after a power loss or after the safety system has turned the saw off due to an error detected during use.

Blade Contact While Stopped

There was contact with the blade (or a portion of the arbor) when the blade was not spinning in Standby Mode. Contact in this mode does not activate the brake. The code will automatically clear within 5 seconds after contact has ended. The system will not allow the motor to start while this code is displayed.

Blade Contact During Bypass

Contact was detected while the saw was running in Bypass Mode. The code indicates that the brake would have activated if the system had not been in Bypass Mode. The brake will not activate but the safety system will continue to monitor for contact. This error will automatically clear once the blade has finished coasting down.

Brake Cartridge Key Error

The cartridge locking key is not installed correctly. To clear this error, first turn the power switch to OFF, and then make sure the cartridge key is fully locked (See page 38).

Overload Due to Moisture

The material is too wet or green. Cycle the Start/Stop paddle and the power switch to clear. Allow material to dry or cut in Bypass Mode.

Small or Missing Blade

Switch power off, unplug the power cord and install 10" blade.

Blade Stalled

Cycle power and cut material more slowly. Call SawStop Technical Support if issue persists (see page 56).

Replace Cartridge

The brake cartridge has already activated or there is some other permanent defect that cannot be corrected. If the cartridge has not activated, cycle the power off and on. If the error continues, install a new cartridge. See page 38 to learn how to change a brake cartridge.

Starting Up

The system is performing self-checks and energizing the brake system. This code should clear within 15 seconds after you turn on the power switch. If the ambient temperature is very low (below about 0° F), this code may take longer to clear. The safety system detects such low temperatures within the brake cartridge. If necessary, the system turns on a heater inside the cartridge to raise the temperature of the electronics. This code will continue until the temperature inside the brake cartridge is within the normal operating range.

Ready or Running

All self-checks have been completed, the safety system is operating properly, and the saw is in Standby Mode and ready to run.

Coasting Down

The blade is coasting down and that the safety system is ready to activate the brake if contact is detected. The safety system monitors the rotation of the blade while it is coasting down. If you touch the blade while this code is flashing, the brake will activate.

Switchbox Error

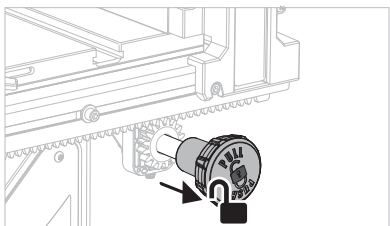
Both lights flash slowly together (synchronized). This code indicates an error with the electrical system. The error is not user-serviceable—contact SawStop Service for assistance (see page 56).

How to Set the Rip Width

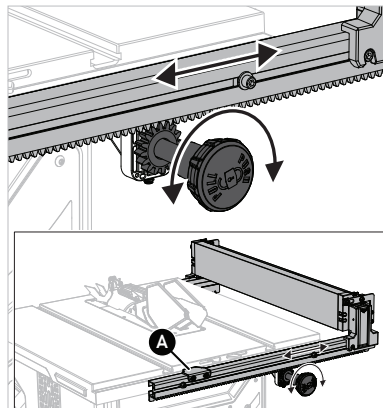
Understand the difference between rip cuts and cross cuts before cutting (see page 25).

See page 16 to learn how to place the rip fence on the mounting lugs.

1. Pull the rip width control to unlock the rail mechanism.

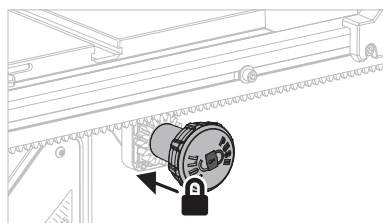


2. Turn the control to adjust the width. Look directly down on the lens position indicator (A) and the ruler to determine the rip width.



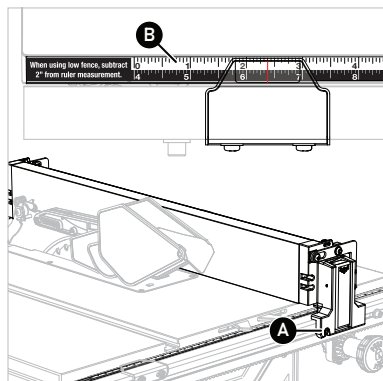
See the following section to learn how use the ruler.

3. Push in the control to lock the mechanism.



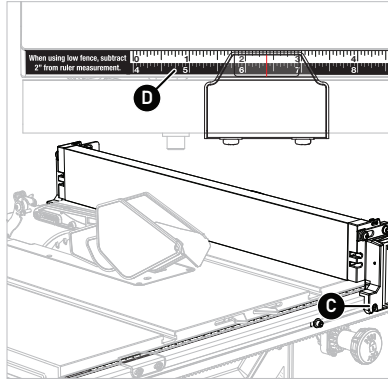
How to Use the Ruler

When you mount the rip fence on the lugs closest to and to the right of the blade (A), use the upper scale (B) on the ruler.



See page 23 to learn how to use the low fence.

When you mount the rip fence on the lugs farthest from and to the right of the blade (C), use the lower scale (D) on the ruler.

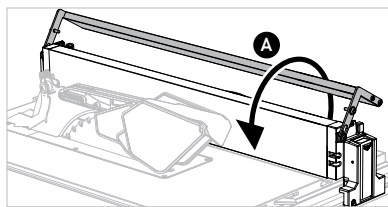


Though the lugs are adjustable, note that they must be precisely 4 inches (101.6 mm) apart to be in sync with the rulers. Additionally, the rip fence must be properly aligned with the blade to ensure the ruler accurately represents cut widths. **See page 43** to learn how to adjust alignment for the rip fence.

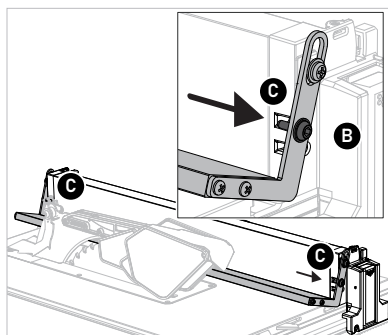
How to Use the Low Fence

- ⚠ Never override the fence stops (see page 17) to make a narrow cut. Always use the low fence to make narrow cuts.**
- ⚠ The fence stops will not prevent the low fence from contacting the blade. When adjusting rip width, use extra caution to prevent the low fence from contacting the blade.**

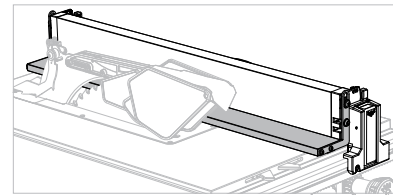
1. Pivot the low fence (A) from its storage position on the right side of the rip fence to the left side of the rip fence.



2. Place the two position screws (B) next to the low fence position (the upper slots) (C) on the rip fence.



3. Push the position screws into the slots.

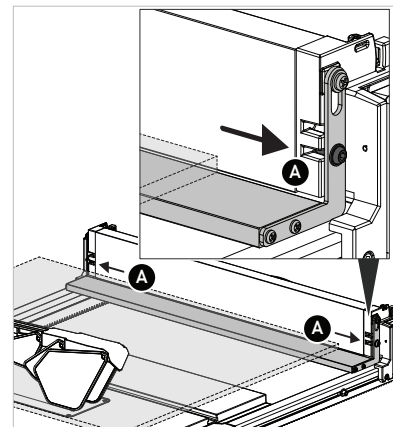


When using the low fence, subtract two inches (50.8 mm) from the value indicated on the ruler (**see page 22**).

How to Use the Shelf

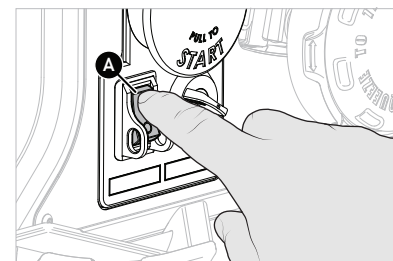
Use the shelf to support workpieces when making rip cuts when the rip fence is extended far enough that the workpiece could tip.

Like the low fence, pivot the shelf into position but place the position screws in the lower slots (A) (instead of the upper slots) in the rip fence.



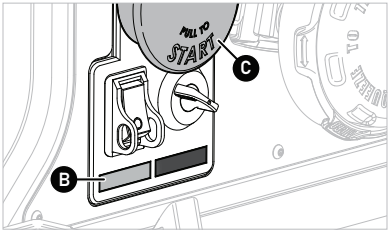
How to Start the Saw

1. Make sure the table top is clear and that nothing is touching the blade.
2. Turn on the power switch (A).



The red status light will blink slowly for a moment while the safety system initializes. When the safety system is ready, the red status light will turn off and the green status light (B) will turn on, and display steadily (see page 21).

When the initialization process is complete, you can pull the Start/Stop paddle (C) to spin the blade.



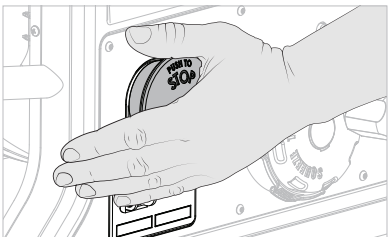
⚠ Make sure the workpiece is not touching the blade when starting the motor.

How to Restart after Stalling

Be aware that if the blade stops, for example, as due to binding or tough material, you will need to cycle the Start/Stop paddle. Depending on the circumstances, it may also be necessary to cycle the power switch.

How to Stop the Saw

1. Press the Start/Stop paddle to cut off power to the motor. Notice also that the paddle is designed to be easy to see and strike in an emergency situation.
2. Turn off the power switch to fully turn off power to the saw.



Always remember to unplug the saw also when performing any maintenance to the saw.

⚠ Always unplug the saw when performing maintenance on the saw.

Bypass Mode

Use Bypass Mode when 1) you're not sure if a material is conductive and you need to test for conductivity or 2) you need to cut a conductive material.

Bypass Mode operates as the name suggests: when on, Bypass Mode prevents the brake cartridge from activating if the spinning blade contacts a conductive material.

⚠ THERE IS NO PROTECTION IN BYPASS MODE; the brake will not activate if you touch the spinning blade. Use Bypass Mode only to test a material for conductivity and to cut conductive materials. Use extra caution in Bypass Mode.

Conductive Materials

The following lists some examples of conductive materials:

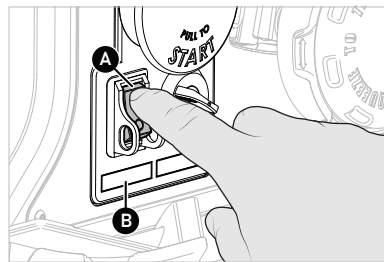
- Green or very wet wood
- Wet pressure-treated wood
- Very wet plywood or OSB
- Aluminum and other metals
- Carbon-filled materials
- Foil
- Mirrors

How to Start in Bypass Mode

You'll need both hands free to activate Bypass Mode.

1. Turn on the power switch (A).

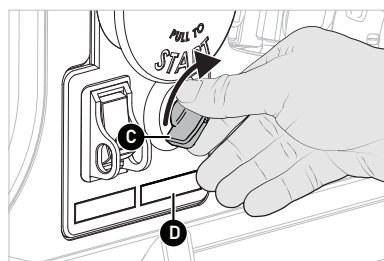
Wait for the solid green status light (B) to display alone.



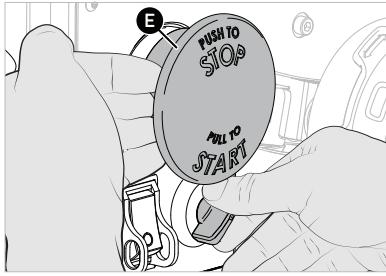
2. Turn the Bypass Mode switch (C) clockwise all the way to the stop and hold in that position.

The red status light (D) should flash once.

Do not release the switch - continue to hold.



3. While holding the Bypass Mode switch, pull the Start/Stop paddle (E).



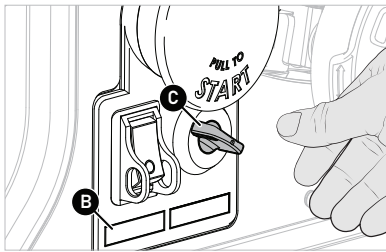
The red status light should flash once.

The blade will spin up.

4. Release the bypass switch (C).

The switch will spring back to its original position.

The green status light will flash (B) slowly while the saw is in Bypass Mode.



If the material is conductive, the red status light will also begin to flash rapidly (see page 21) as soon as the material contacts the spinning blade and will continue to flash until you exit Bypass Mode.

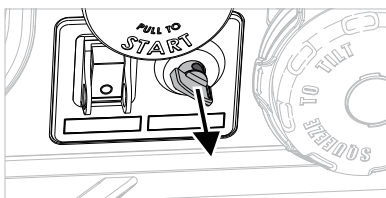
To exit Bypass Mode, press the Start/Stop paddle. The green status light will flash rapidly as the blade spins down.

The safety system returns to the normal protection mode automatically and will be active the next time you start the saw normally.

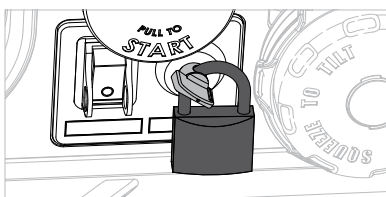
How to Prevent Use of Bypass Mode

You can lockout (disable) Bypass mode.

1. Pull out and hold the Bypass Mode switch.



2. Place a lock through the hole in the switch shaft.



CUT TYPES

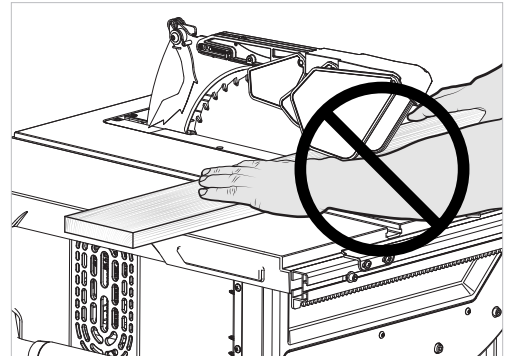
Rip Cuts and Cross Cuts

The two general categories of common cuts are:

- With the grain (rip cut)
- Across the grain (cross cut)

It's critical that you use the rip fence when making rip cuts and the miter gauge when making cross cuts.

Never cut any workpiece freehand. Doing so can cause the workpiece to bind which can result in kickback (see page 18). See the following pages to learn about cut types.

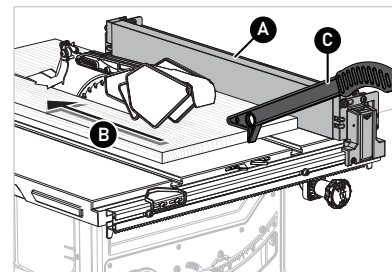


! Always use either the rip fence or the miter gauge. Never attempt to cut freehand.

Rip Fence

Always use the rip fence (A) when cutting with the grain. As shown in the illustration, the grain direction (B) is essentially in the same direction as the cut.

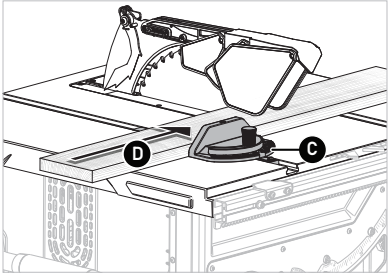
Always use a push stick (C) when the distance between the rip fence and the saw blade is less than six inches (150 mm). Use a push block (see page 51) when that distance is less than two inches (50 mm).



! Do not contact the rip fence with the spinning blade. Contact will activate the brake system. Use the low shelf (see page 17) when making narrow cuts and to cut workpieces that are thinner than 2 mm.

Miter Gauge

Always use the miter gauge (C) when cutting across the grain. As shown in the illustration, the grain direction (D) is essentially perpendicular to the cut.



Always remove the rip fence from the table when making cuts with the miter gauge. If the workpiece contacts the rip fence during a crosscut, the workpiece could deflect and bind, resulting in kickback.

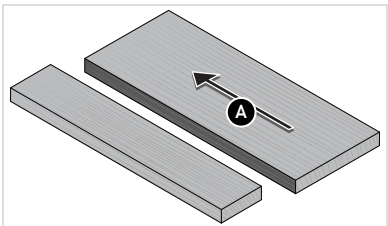
If using an extruded aluminum or other metal miter fence attachment, be sure to maintain a gap of at least 1/8" between the blade and any conductive surfaces to avoid any chance of activation.

You can also attach an extension to the miter gauge, making the effective contact face wider.

⚠ To prevent interference with the workpiece, always remove the rip fence when making cross-cuts.

Rip Cut

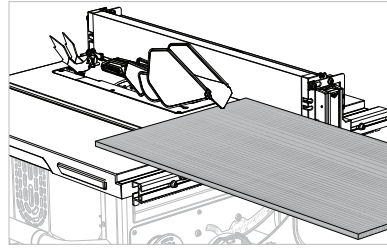
A rip cut is created by cutting with the grain of the workpiece. The direction of the grain (A) is essentially parallel to the cut. You must use the rip fence to support and guide the workpiece.



1. Tilt the blade to desired bevel angle as needed, and then adjust the blade elevation to about 1/8" to 1/4" (3 to 6 mm) higher than the workpiece.
2. Position the rip fence (or low fence, **see page 17**) at the desired rip width and lock in place. Position the workpiece flat on the table and flush against the rip fence.
3. **Make sure the workpiece is not touching the blade.** With the power switch on, pull the Start/Stop paddle to spin the blade.

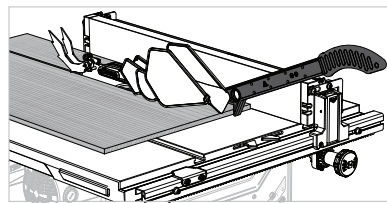
⚠ Make sure the workpiece is not touching blade when starting motor.

4. Hold the workpiece squarely and firmly against the rip fence face and table. Push the workpiece slowly and smoothly toward and past the blade.



5. When cutting long material, ensure adequate support so the workpiece does not move or shift as it moves past the edge of the table.

Use a push stick if your hand comes within 6" (150 mm) of the blade. The saw comes with a push stick but you can also make one (**see page 50**).

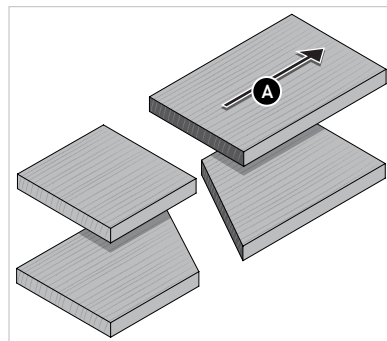


⚠ Do NOT use the miter gauge when making rip cuts.

⚠ The blade guard should be used for all through cuts.

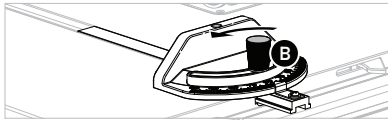
Cross Cut

A cross cut is created by cutting across the grain of the workpiece. The direction of the grain (A) is essentially perpendicular to the cut. You must use the miter gauge to support and guide the workpiece. Always remove the rip fence when making cross cuts.

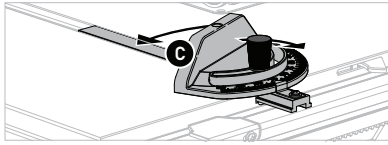


1. Tilt the blade to the desired bevel angle as needed, and then adjust the blade elevation to about 1/8" to 1/4" (3 to 6 mm) higher than the workpiece.
2. Place the miter gauge in the right-hand miter slot for bevel cuts (**see page 27**), or in either the right-hand or left-hand miter slots for non-bevel cuts.

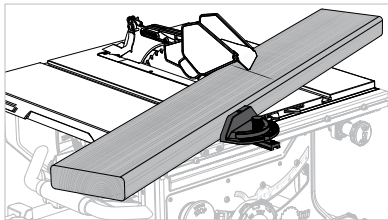
- Adjust the miter gauge as needed by loosening the locking knob (B).






- Pivot the miter gauge (C) to the desired angle, and then tighten the locking knob.



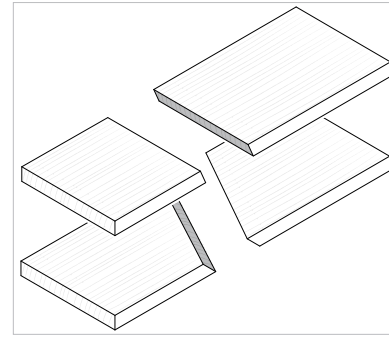
- Make sure the workpiece is not touching the blade.** With the power switch on, pull the Start/Stop paddle to spin the blade.
- Hold the workpiece squarely and firmly against the miter gauge face and table. Push the workpiece slowly and smoothly toward and past the blade.
- For through-cuts, shift the workpiece slightly away from the blade before pulling the miter gauge and workpiece back toward the front of saw. Do NOT touch the cut-off portion of the workpiece until the blade has stopped.



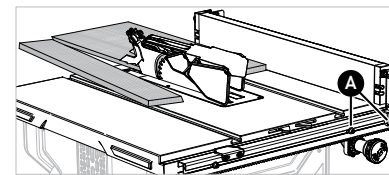
-  **Do not use the miter gauge in the slot on the left of the blade when making bevel cuts.**
-  **To reduce the risk of kickback and serious injury when cross-cutting, make sure the rip fence is not installed on the table.**
-  **Set the blade elevation only as high as necessary to make a cut.**

Bevel Cut

A bevel cut is created by beveling the blade. In this example, a bevel has been included with a cross cut.

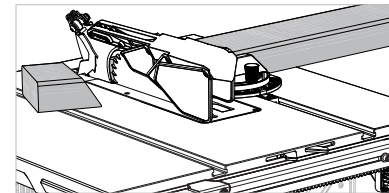


To reduce the likelihood of kickback when making beveled rip cuts, use the rip fence only on the lugs on the right-hand side of the blade (A) (see page 16).







-  **When making beveled rip cuts, use the rip fence on the right side of the blade only.**

To reduce the likelihood of kickback when making beveled cross cuts, use the miter gauge only in the slot on the right-hand side of the blade.

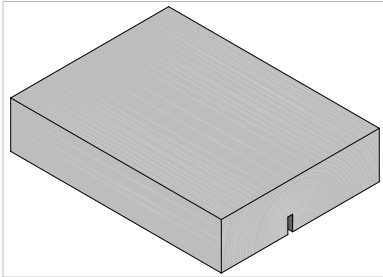


These illustrations show the portion of the workpiece under the slope of the blade as free to move out of this potential pinch zone.

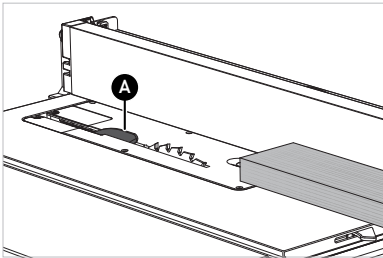
-  **When making beveled cross cuts, use the miter gauge in the right-hand miter slot only.**
-  **Remove the rip fence when making cross cuts.**
-  **Molding head cutting is not permitted. Dado cutting is not permitted.**
-  **Tapered cuts are permissible, but are only to be performed with the proper fixture.**

Non-Through Cut

⚠ When creating a through cut that does not pass through the entire length of the workpiece, always 1) press the Start/Stop paddle, 2) turn off power to the saw, and then 3) remove the workpiece; only remove the workpiece when the blade has come to a complete stop. If the blade is still spinning, the workpiece may kickback.

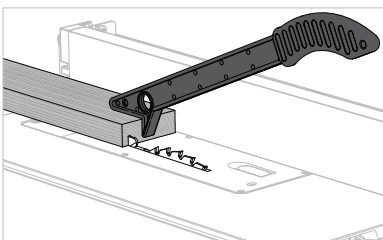


A non-through cut does not extend through the entire thickness of the workpiece. A groove cut, shown here, is a type of non-through cut as parallel to the grain. You cannot use the blade guard and spreader with a non-through cut but must use the riving knife (A) instead.



1. Remove the blade guard, and then install the riving knife (see page 19). If a rip cut, use the rip fence. If a cross cut, use the miter gauge, and remove the rip fence from the table.
2. Adjust the blade elevation to desired cut depth.
3. **Make sure the workpiece is not touching the blade.** With the power switch on, pull the Start/Stop paddle to spin the blade.
4. Hold the workpiece squarely and firmly against the face of the rip fence, or miter gauge, and table. Push the workpiece slowly and smoothly toward and past the blade.

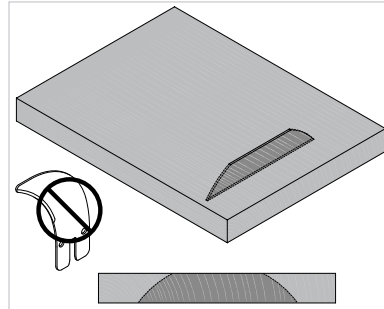
Use a push stick or push block to safely cut the workpiece.



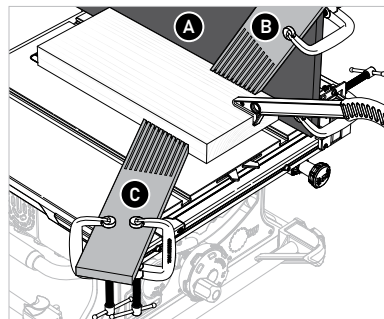
Plunge Cut

A plunge cut is used to create a slot or opening somewhere other than the edge of the workpiece.

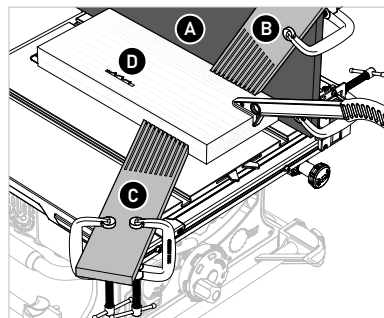
⚠ Use extra caution when making plunge cuts, since the blade guard, riving knife, and anti-kickback pawls cannot be used. Do not use the riving knife.



1. Fully lower the blade. If the riving knife is installed, remove the riving knife. Clamp a support board (A) to the rip fence. Place the workpiece against the support board and set the rip width. Place a featherboard (B) firmly against the top of the workpiece, and then clamp to the support board. Place another featherboard (C) firmly against the side of the workpiece, and then clamp the featherboard to the table. Make sure the horizontal featherboard is in front of the blade such that the featherboard is NOT applying pressure to the cut.



2. Raise the blade to the desired height or depth of cut (D).

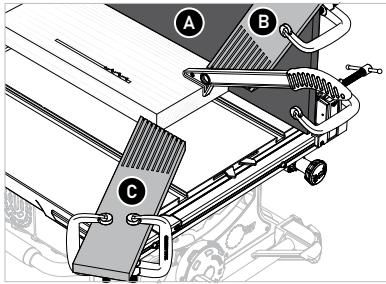


3. Finish the cut, as needed.

If making a non-through cut, press the Start/Stop paddle and let the blade come to a complete stop. Turn off power to the saw, and then remove the featherboards and support board. Remove the workpiece.

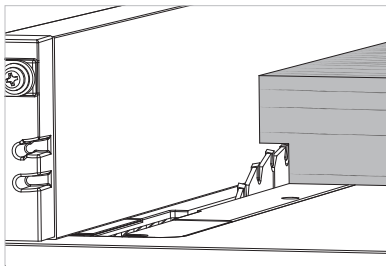
⚠ To avoid kickback with a non-through cut, never remove the workpiece while the blade is spinning.

⚠ To avoid kickback, always keep the horizontal featherboard (C) in front of the blade, such that the featherboard won't put pressure against the side of the blade.



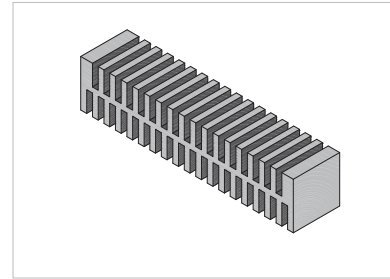
Rabbet Cut

A rabbet cut is a rectangular recess along the edge or end of a workpiece. You cannot use dado blades on the Compact Table Saw but you can use multiple passes, as needed, to create a rabbet cut. You must use featherboards when making a rabbet rip cut, similar to the illustrations in the Plunge Cut section.

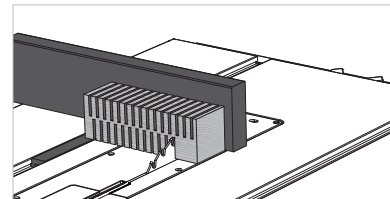


Grooving Cut

Grooving removes areas of material so a workpiece can be bent or shaped.



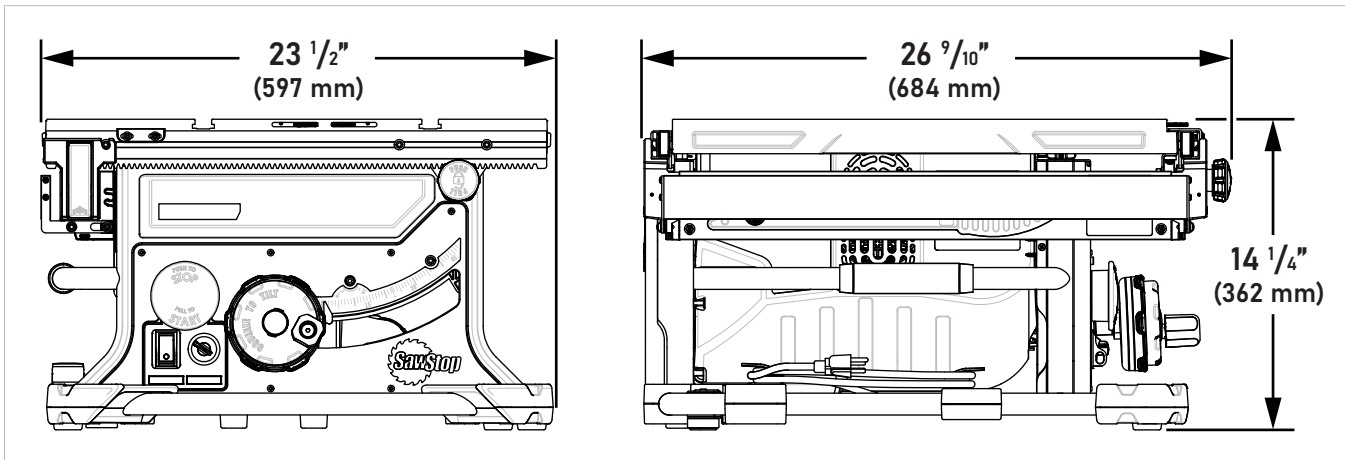
1. Adjust the blade elevation to the desired cut depth. Remove the rip fence from the table.
2. Mount a wood face extension to the miter gauge, as needed. Install the miter gauge in the miter slot, making sure the wood face extends across blade (so a single cut will be made in the face).
3. **Make sure the workpiece is not touching the blade.** With the power switch on, pull the Start/Stop paddle to spin the blade.
4. Make a series of evenly spaced cuts along the workpiece, moving the workpiece over slightly between each cut.
5. As needed, flip the workpiece over and make another series of cuts, offset from the first set, using the same method.



⚠ Use extra caution when not using the blade guard.

SPECIFICATIONS AND REQUIREMENTS

Dimensions



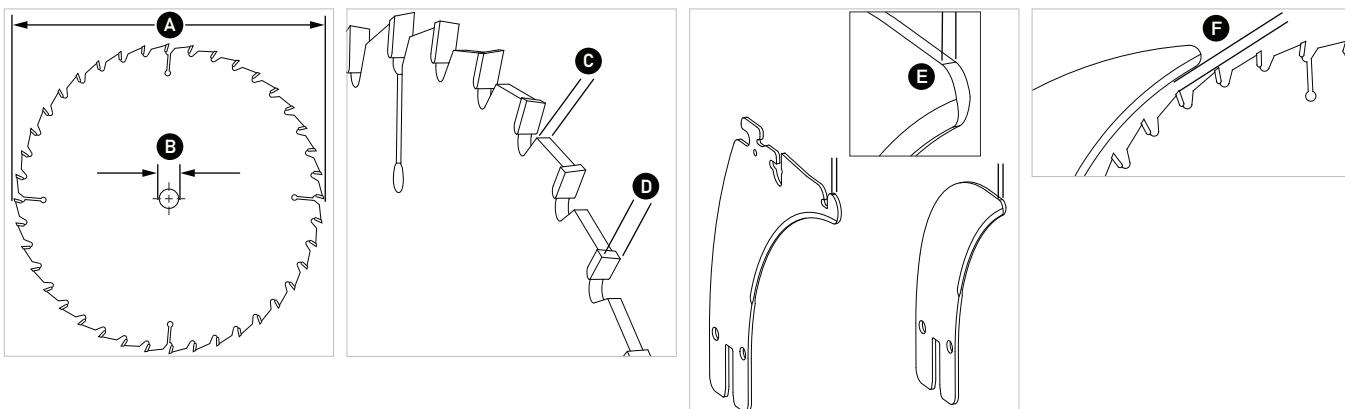
Specifications








SPECIFICATIONS	
Motor Configuration	120 VAC 60 Hz, Universal
Motor Configuration (Australia)	230 VAC 50 Hz, Universal
Power	1800 W
Power (Australia)	2000 W
Amperage (A)	15A
No-Load RPM (n_0)	4,000
Weight	68 lbs (31 kg)
Shipping Weight	78 lbs (36 kg)
Max. Depth of Cut, Blade at 0°	3 1/8" (79.5 mm)
Max. Depth of Cut, Blade at 45°	2 1/8" (54 mm)
Max. Rip Capacity	24 1/2" (622 mm)

Blade Requirements

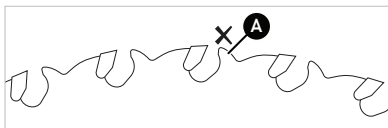
REQUIREMENTS	
Blade Diameter (A)	10" (254 mm) 250mm (9.84")
Bore (Arbor) Diameter (B)	5/8" (15.875 mm)
Blade Plate Thickness (C)	5/64" (2 mm)
Blade Kerf (D)	3/32" to 3/16" (3 mm)
Minimum Speed Rating	4000 RPM (4000/min.)
Riving Knife or Spreader Thickness (E)	0.090" (2.3 mm)
Blade and Riving Knife or Spreader Gap (F)	0.16" - 0.32" (4-8 mm)




See callout references on images.



-  **Do NOT use saw blades made of materials that are electrically non-conductive (e.g. abrasive blades, blades with plastic hubs, etc.) (see page 24).**
-  **Do NOT use a dull saw blade. In addition to cutting less effectively, a dull blade is more likely to bind and requires more pressure to feed the workpiece. Replace the blade periodically or when it begins to become dull.**
-  **Use the correct saw blade for the material being cut. Use wood-specific saw blades when cutting wood. Use metal-specific saw blades when cutting metal.**
-  **Always use a saw blade which is marked with a speed equal to or higher than 4000 rpm.**
-  **Both the riving knife and the spreader are 0.090" (2.3 mm) thick. Do NOT use a blade with a kerf less than 3/32" (3 mm) with these tools. When the blade and riving knife or spreader are installed on the saw, there should be a gap of 0.16" - 0.32" (4-8 mm) between the blade and the riving knife or spreader.**
-  **Do not use Dado blades. The Compact Table Saw is not designed to work with Dado blades.**
-  **Do NOT use saw blades that have a lacquer coating on the teeth, blades with depth-limiting shoulders, or blades with non-conductive teeth.**

This illustration shows a blade as equipped with shoulders (A). Do not use blades with shoulders. The shoulders could prevent the brake pawl from effectively engaging the blade in the event of an activation.



-  **Turn off the main power switch. Make sure the blade is completely stopped before making any adjustments.**
-  **Avoid overheating the tips of the saw blade teeth by keeping the blade clean and sharp. Ensure the dust collection system is clean and free of debris. When cutting plastic, make sure material feed rate does not cause the plastic to heat up or melt.**
-  **To avoid risk of injury, wear gloves when handling saw blades. Never wear gloves when operating the saw.**

Workpiece Parameters

MAXIMUM WORKPIECE DIMENSIONS	
CUT	DIMENSION
Max. Depth of Cut, Blade at 0°	3 1/8" (79 mm)
Max. Depth of Cut, Blade at 45°	2 1/8" (51 mm)
Max. Rip, Right of Blade (Extension Table Retracted)	13 1/2" (342 mm)
Max. Rip, Right of Blade (Extension Table Extended)	24 1/2" (622 mm)
Max. Rip, Left of Blade	9 1/2" (241 mm)

Workpiece Material Requirements

The Compact Table Saw can be used to cut wood, plastic, pliable metal (e.g., aluminum), or other similar materials. Do not use the saw to cut ferrous metals. Conductive materials must be cut using Bypass Mode (see page 24). Only use blades with a 10" (254 mm) or 250mm (9.84") diameter and 5/8" (15.875 mm) bore (arbor) diameter (see page 30).

If cutting metal, plug the saw into an RCD (residual current device), also known as a GFCI (ground fault circuit interrupter) (see page 32).

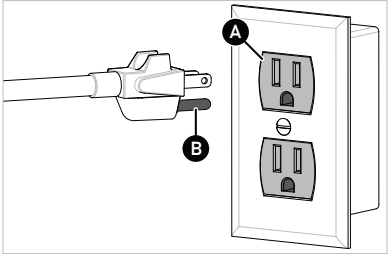
Electrical Specifications

- Saw must be connected to grounded wiring system or system having an equipment grounding conductor.
- Plug must match outlet that is properly installed and grounded in accordance with all local codes and ordinances.
- Do not modify plug – if it will not fit the outlet, have proper outlet installed by qualified electrician.
- Improper connection of equipment-grounding conductor can result in risk of electric shock and/or malfunction.
- Outer surface of insulation on equipment-grounding conductor is green with or without yellow stripes.
- Check with qualified electrician or service personnel if grounding instructions not understood, or if you are not sure whether saw is properly grounded.
- Do not expose saw to wet or damp conditions.
- Keep power cord away from anything that could damage cord (e.g., heat, sharp objects, etc.).

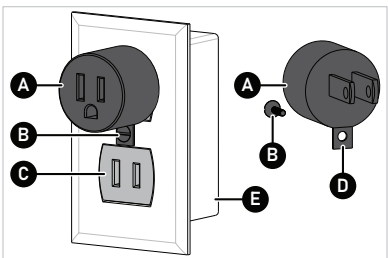
- Use only 3-wire extension cords with 3-prong grounding plugs and 3-pole receptacles that accept saw's plug.
- Do not use a damaged or worn cord.
- Match size of cord to length needed. An undersized cord will cause drop in line voltage, resulting in loss of power and overheating.

Grounded Connection

The Compact Table Saw is intended for use on a 110-120 V supply circuit with a grounded outlet (A) designed for a plug with a ground pin (B).



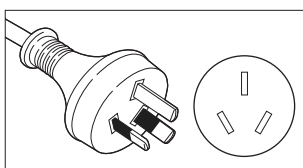
A temporary adapter may be used to connect this plug to a 2-pole receptacle as shown below, if a properly grounded outlet is not available. The temporary adapter should be used only until a properly grounded outlet can be installed by a qualified electrician. This adapter is not permitted in Canada. The green-colored rigid ear, lug, and the like, extending from the adapter must be connected to a permanent ground such as a properly grounded outlet box.



- A. Adapter
- B. Metal Screw
- C. Ungrounded/Unpolarized Outlet
- D. Grounding Lug/Tab
- E. Grounded Outlet Box

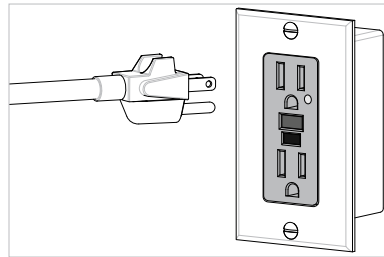
CTS-230A50I (Australia)

The Australian version of the saw is intended for use on a 230 V supply circuit with an outlet and connection that looks like the following example.



RCD or GFCI

If working in a damp environment or if cutting metals it's important to connect the saw to an RCD (residual current device), also known as a GFCI (ground fault circuit interrupter), as shown generically in the following image.



Extension Cord Recommendations

LENGTH	GAUGE
0-25 Feet (0-7.6 m)	12 AWG (4 mm ²)
25-50 Feet (7.6-15.2 m)	10 AWG (6 mm ²)
Over 50 Feet (15.2 m)	Not Recommended

CARE FOR YOUR SAW

Your Compact Table Saw was designed to minimize maintenance. With minimal care, you can keep your saw in efficient and safe working condition.

Tools Needed for Maintenance

Some of the following tools are included in the accessory storage compartment, as noted:

Included

- Arbor nut wrench—use to loosen or tighten the arbor nut and to help remove an activated blade and brake cartridge
- Arbor flange wrench—use to keep the arbor from turning as you loosen or tighten the arbor nut
- Hex-key wrench, 4 mm—use to adjust the blade guard clamp and the rip fence mounting lugs

Not Included

- C-clamps—use to hold the support or backing board in place when cutting a slot in replacement inserts
- Straight-edge—use to determine blade clamp alignment
- Combination square—use to help align the blade, and to align the head of the miter gauge
- Hex-key wrench, 5 mm—use to help adjust blade alignment
- 10 mm socket or wrench—use to help adjust blade

alignment

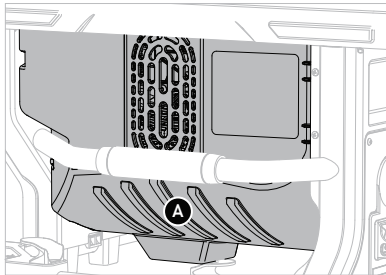
- Feeler gauge—use to determine blade clamp alignment and blade alignment
- Marker pen—use to assist with blade alignment
- Vacuum—use to remove debris from the saw internal areas
- Phillips screwdriver—use to align the head on the miter gauge
- Flat blade screw driver, or similar tool—use to unlock the latch for the dust shroud door

How to Order Parts

Visit www.SawStop.com for exploded views and part numbers. See page 56 for more information.

Keep the Motor Housing & Trunnion Housing Clean

Keep the interior of the saw (A) free of accumulated saw dust, wood chips and other debris. Though it is normal to have some dust collect inside the saw, periodically check for dust inside the motor and trunnion covers, and the dust collector (see page 33). Vacuum out the dust as needed to prevent buildup.

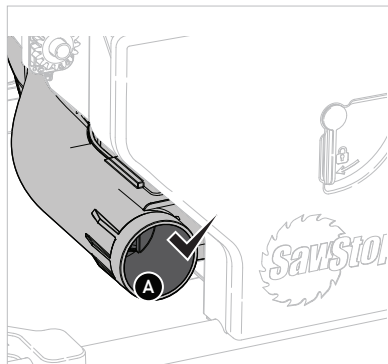


Clean the Dust Collector

⚠ Always turn off and unplug the saw when working on or maintaining the saw.

Keep the dust collector (A) clean and free of dust and debris. You can use a vacuum to clean out the collector and the internal portions of the saw.

See page 20 to learn about connecting a dust collection system.



Inspect the Power Cord

Periodically check the condition of the power cord; if the cord becomes damaged, you must replace it with an original replacement cord available from SawStop (see page 56).

How to Replace the Power Cord

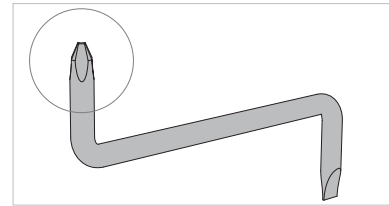
Attention: The power cord for Model CTS-230A50I must be replaced by an authorized service agent (see page 56). Model CTS-230A50I is used in Australia and New Zealand and is configured to connect to 230V, 50Hz power. Do not replace the power cord yourself if your saw runs on 230V, 50Hz power.

The following instructions apply for saws configured to connect to 120V, 60Hz power, including saws used in the United States and Canada.

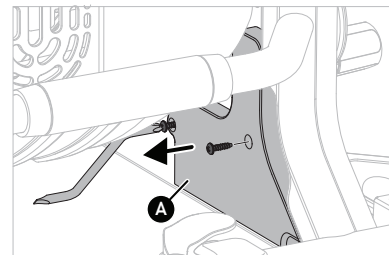
Order a new power cord, and the two toothed washers for the ground connection, from SawStop (see page 56).

Tool needed: Phillips screwdriver. Depending on the overall size of the screwdriver, you may also need an offset Philips screwdriver to access the inside screw on the ground cover.

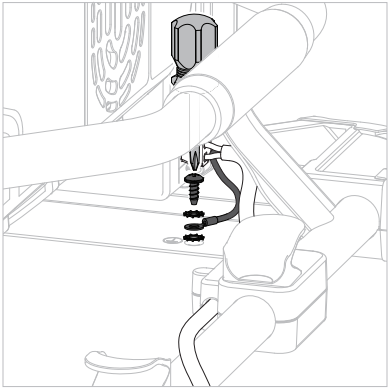
Offset Screwdriver with Philips bit (and a flat bit)



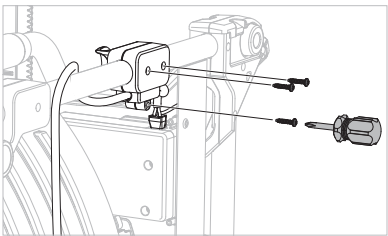
1. Turn off and unplug the saw.
2. Remove the two screws from the ground cover, and then remove the cover (A).



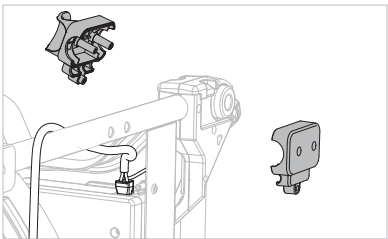
3. Remove the ground screw. Discard the two toothed washers.



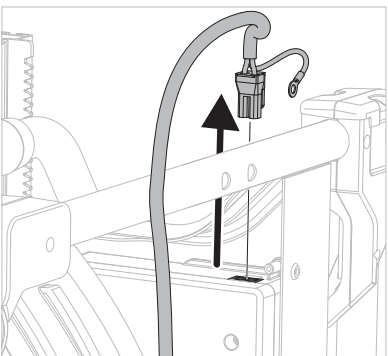
4. Tilt the saw onto its right-hand side, and then remove the three screws that hold the cable clamp together.



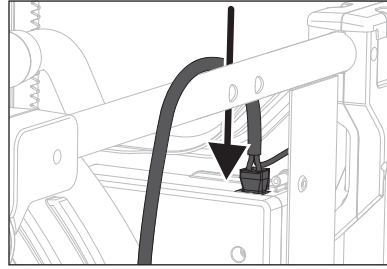
5. Separate and remove the clamp halves.



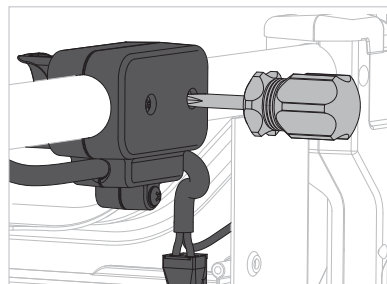
6. Squeeze and hold the locking tab on the connector, and then unplug from the switch box. The locking tab faces the front of the saw.



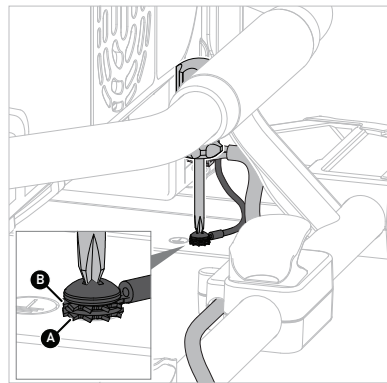
7. Plug the new cord into the switch box. Make sure the connector is fully inserted and that the locking tab is locked into the switch box.



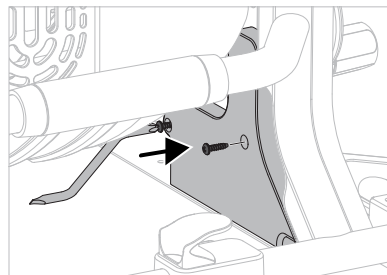
8. Place the cord in the cable clamp, and then place the clamp halves on the frame. Leave enough length between the clamp and the switch box so that there is little or no tension on the cord. Thread and tighten the three screws.



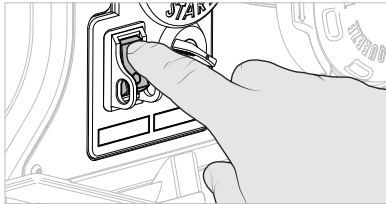
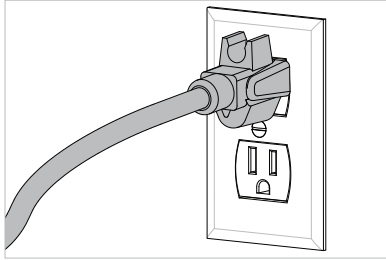
9. Tilt the saw back down to the working position, and then attach the ground connection: place one of the new toothed washers between the connector and the frame (A) and one above the connector (B), and then thread and tighten the screw.



10. Install the ground cover and the two screws.



11. Plug the cord into a wall outlet, and then turn the saw on to confirm the system initializes as normal, as indicated by a solid green status light.



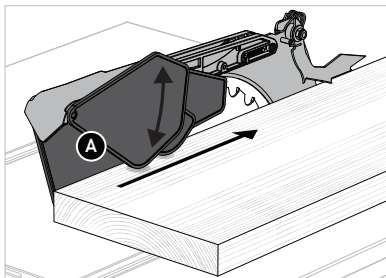
If the system does not initialize properly, contact the SawStop Service department (see page 56).

Inspect the Blade Guard

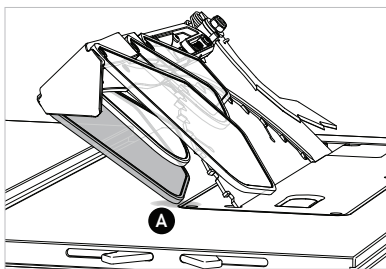
Check the blade guard before each use. Keep the blade guard free of accumulated saw dust, wood chips, and other debris. Check that you have a clear view of the saw blade from all angles; make sure no abrasions or materials on the blade guard obscure your view. Check that the blade guard pivots up and down freely. The blade guard should rest completely on the table when not in use.

How to Inspect the Side Guards

Confirm the side guards (A) (both sides) swing freely.

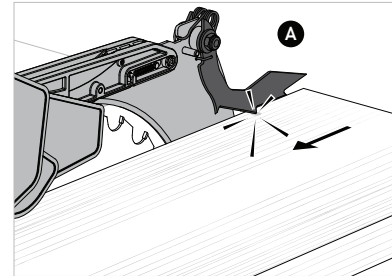


The front side guard should contact (A) the table when you set the bevel of the blade to 45 degrees.



How to Inspect the Anti-Kickback Pawls

Confirm the anti-kickback pawls engage a workpiece. To test, with the power off and the blade lowered, push a workpiece under a pawl, and then try to pull the workpiece back towards the front of the saw. The pawl should prevent you from pulling the workpiece. If not, make sure the pawls are correctly installed (see page 18). If installed correctly and the pawls still don't engage the workpiece, replace the pawls (see page 33).



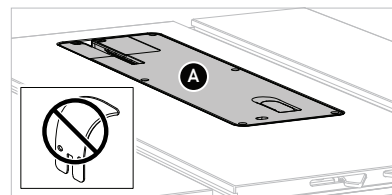
How to Cut a Slot in a Replacement Insert

The blade slot in the insert that came with your saw was pre-cut at the factory. For replacement inserts, you must cut the slot. Create the slot using two cuts: one at 90 degrees and one at 45 degrees.

⚠ Do not use a replacement insert without first cutting the slot.

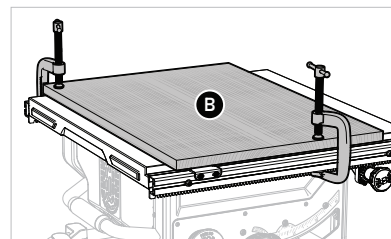
⚠ Always turn off and unplug the saw when working on or maintaining the saw.

1. With the blade lowered, remove the old insert and install the new insert (A).

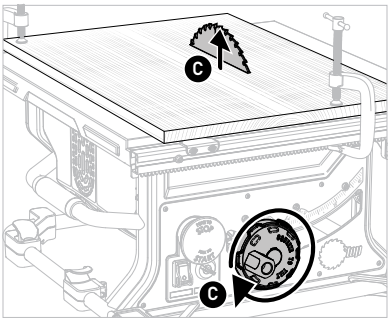


⚠ Make sure the riving knife is not installed when creating the slot.

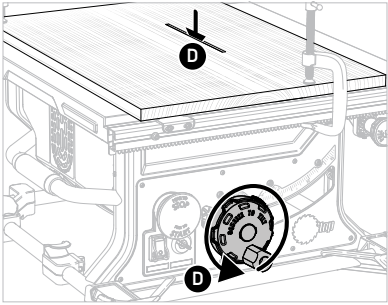
2. Clamp a board (B) over the insert to make sure the insert remains solidly locked in place while cutting the slot.



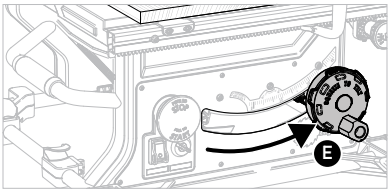
3. Start the motor, and then fully raise the blade (C).



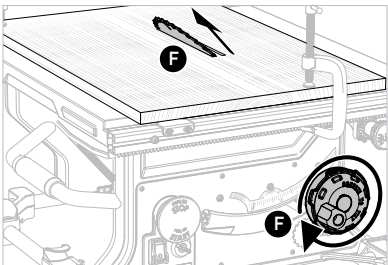
4. Fully lower the blade (D).



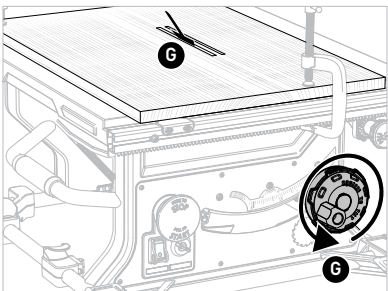
5. Set the bevel to 45 degrees (E).



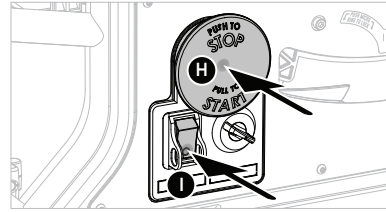
6. Fully raise the blade (F).



7. Fully lower the blade (G).



8. Press the Start/Stop paddle (H) and turn off the power switch (I). Wait for the blade to stop spinning.



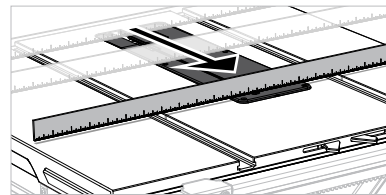
The slot is cut in the insert.

9. Remove the clamps and board.

How to Adjust the Insert

The insert is designed to be flush with the table top. If the insert is out of adjustment, it could interfere with the workpiece as you feed the workpiece to the blade. The misalignment could also create an inaccurate or unintentionally angled or beveled cut. Use the following procedure to make sure the top of the insert is flush with the table top.

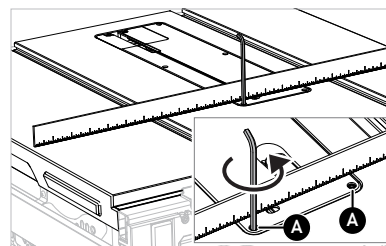
1. With the blade fully lowered, place a straight-edge (or a workpiece with a true, straight edge) over the insert and table top. Check both the front, middle and rear of the insert.



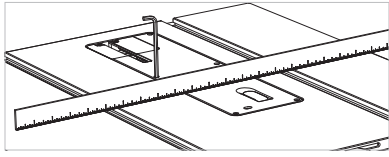
In this example, one end of the insert is above the table top (the misalignment is exaggerated for clarity).

2. Use the 4 mm hex-key to turn any or all of the six adjustment screws, as needed.



In this example, the screws at the front edge of the insert (A) need to be turned counterclockwise to lower that end of the insert. In this case, both screws were turned an equal amount.



3. After adjusting one or more of the screws, check the insert again and adjust the other screws, as needed. Repeat the check and adjust process, as needed, until the insert is flush with the table top.



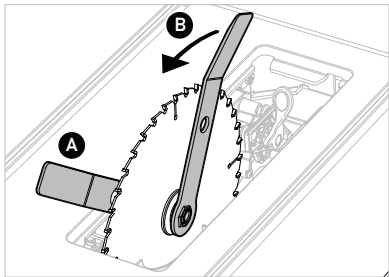
How to Change the Blade

-  **Wear gloves when handling the blade.**
-  **Always turn off and unplug the saw when working on or maintaining the saw.**

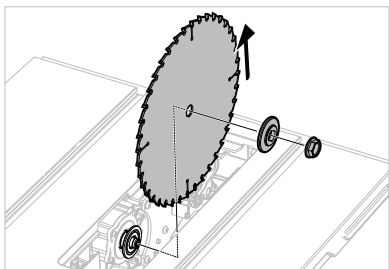
Tools needed:

- Arbor flange wrench and arbor nut wrench (located on the top of the accessory storage compartment)

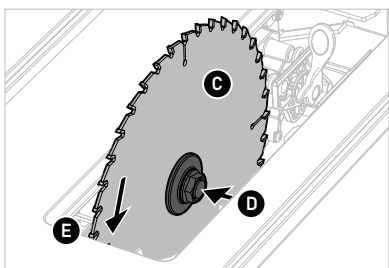
1. Fully raise the blade, and then remove the insert.
2. Open the blade guard clamp, and then remove the blade guard or riving knife.
3. Use the arbor flange wrench to hold the arbor (A), and use the arbor nut wrench to loosen the arbor nut (B).



4. Remove the nut, arbor washer and blade.

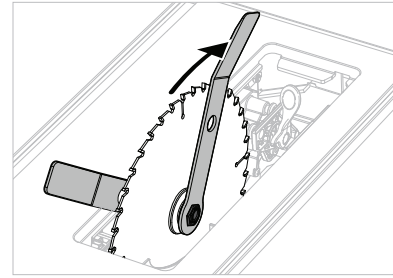


5. Install the new blade (C). Install the arbor washer and arbor nut (D). Make sure the teeth face in the correct direction, that is, pointing down at the front of the throat (E).

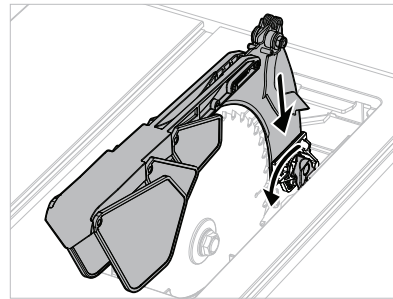


 **Make sure the teeth face in the correct direction (pointing counterclockwise when looking from the right side of the saw).**

6. Tighten the arbor nut. Only a small amount of pressure is needed. Do not over-tighten.



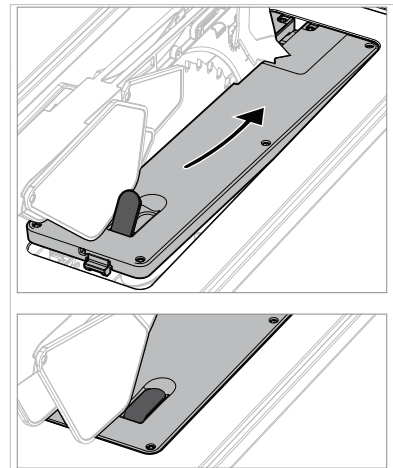
7. Install the blade guard or riving knife, and then close the blade guard clamp.



See page 39 to learn how to check and adjust the alignment of the spreader or riving knife.

See page 41 to learn how to adjust the clamping force of the blade guard clamp.

8. Install the insert.



See page 41 to learn how to adjust blade alignment.

Brake Cartridge

Your compact table saw came with a brake cartridge designed to work with a regular 10" blade (see page 30). The brake cartridge contains no serviceable parts—never open the housing of the brake cartridge. Replace the brake cartridge as a unit, as necessary.

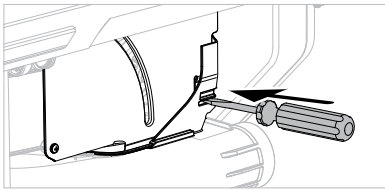
How to Replace the Brake Cartridge

The following shows how to replace a brake cartridge. (See page 38 to learn how to replace a cartridge after an activation.)

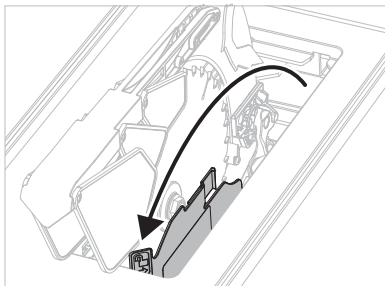
⚠ Use only the CTS-compatible version TSBC-10R3 of the brake cartridge. (Check the part number and suitability on packaging.) Previous versions of the brake cartridge are not compatible with the Compact Table Saw.

⚠ Always turn off and unplug the saw when working on or maintaining the saw.

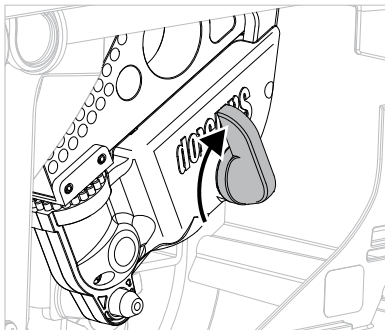
1. Open the dust shroud door: use a flat-blade screwdriver or similar tool to release the latch.



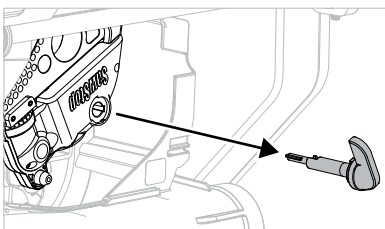
2. With the blade fully raised and the insert removed, pivot the dust shroud door open.



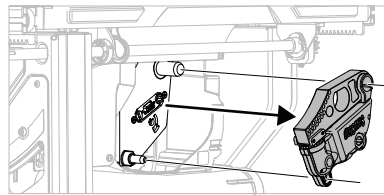
3. Turn the cartridge key 90° clockwise.



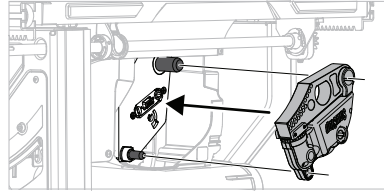
4. Remove the cartridge key.



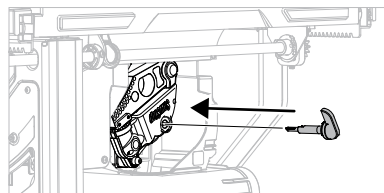
5. Remove the cartridge.



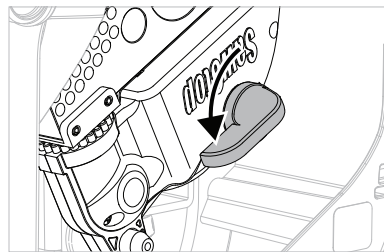
6. Install the new cartridge.



7. Install the cartridge key.



8. Turn the cartridge key 90° counterclockwise to lock.

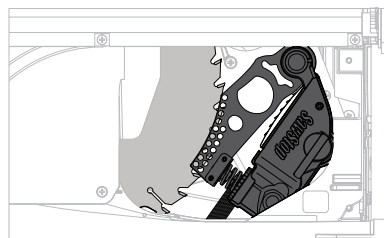


9. Close the cartridge access door.

10. Install the insert and blade guard, or riving knife.

What to do After a Brake Activation

If you contact the spinning blade, the spring inside the brake cartridge releases and forces the braking pawl into the blade. The blade and cartridge are sacrificed to protect you. This is an activation. This also means you must replace both the cartridge and the blade.



⚠ Always turn off and unplug the saw when working on or maintaining the saw.

1. **Reset the Retraction of the Arbor Block:** During normal use, the arbor block is held in place by a spring-loaded support mechanism called the retraction bracket. When the brake is activated, the angular momentum of the spinning blade is transferred to the arbor block, causing it to drop out of the retraction bracket.

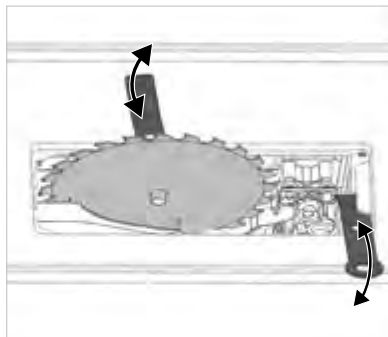
To reset the arbor block into the retraction bracket, fully lower the blade by turning the elevation hand wheel counter-clockwise until the lower elevation limit stop is reached. The arbor block will automatically engage the support mechanism with an audible click. Now turn the elevation hand wheel clockwise to raise the arbor block and blade.

2. Open the brake dust shroud door and remove the cartridge key. (page 38)
3. Remove the arbor nut and washer. (Page 37)

Be careful to not drop any parts or tools in the saw. If parts are dropped, you may be able to retrieve them through the dust shroud door or by tipping the saw to allow them to slide out through the dust port. Make sure all parts are fully removed/back in place before starting again.

4. The blade will be embedded in the brake pawl; you will remove the blade and brake cartridge as a unit. Use the blade wrenches as levers to push the blade off the arbor flange and the brake cartridge off the mounting pins. Pry against the blade and cartridge a small amount alternately, in the locations illustrated below.

Always wear gloves when handling the blade.



5. Lift the blade and brake cartridge from the saw.

Please visit www.SawStop.com to provide details of the activation. Your input will be used in our ongoing research and development. You can also send the activated cartridge to SawStop and we will read the data stored in the cartridge. If the data indicate that the activation was caused by skin contact then we will send you a free replacement cartridge. See page 56 for contact information.

Use only the CTS-compatible brake cartridge: TSBC-10R3. (Check the part number and suitability on packaging.) **Previous versions of the brake cartridge are not compatible with the Compact Table Saw.**

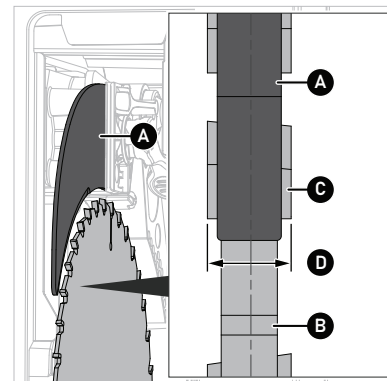
How to Adjust the Spreader or Riving Knife

The spreader or riving knife mount in the blade guard clamp and help prevent the workpiece from binding on the blade. The alignment of the blade guard clamp is set correctly at the factory but over time, and with usage, the clamp can shift out of alignment. The following instructions show how to check and adjust the clamp and thereby center the spreader or riving knife within the thickness of the blade. The following applies to both the spreader and the riving knife. The riving knife is used in the examples. If you adjust alignment using the riving knife, the spreader will also be centered, and vice versa.

How to Center within the Kerf

⚠ Always turn off and unplug the saw when working on or maintaining the saw.

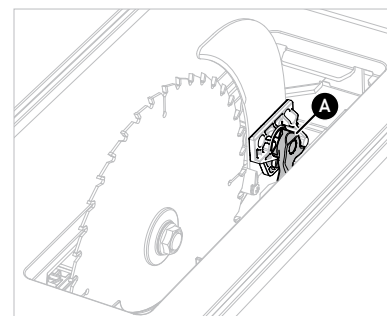
When the blade guard clamp is properly adjusted, the riving knife (A) will be centered within the thickness of the blade. Note that the riving knife is thicker than the blade plate (the body of the blade) (B) but not as thick as the kerf (D). The kerf is the actual width of the cut zone, as a function of the width of the teeth (C) (see page 30).



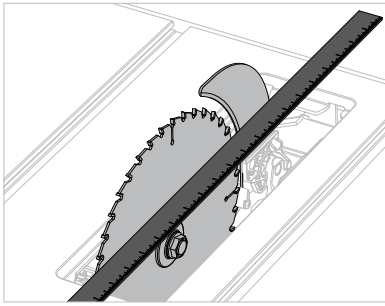
Tools needed:

- Feeler gauge
- Straight-edge
- 4 mm hex-key wrench
- Ideally, use a new blade. At a minimum, make sure the blade is not warped.

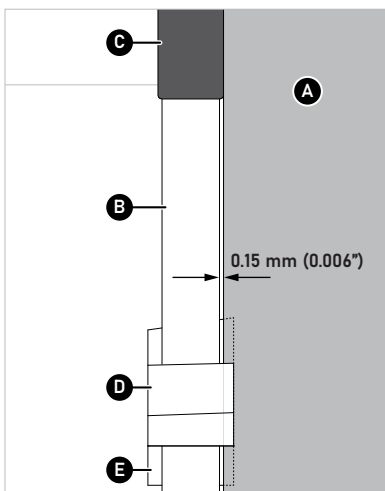
1. Fully raise the blade, remove the insert and make sure the blade guard clamp (A) is fully closed.



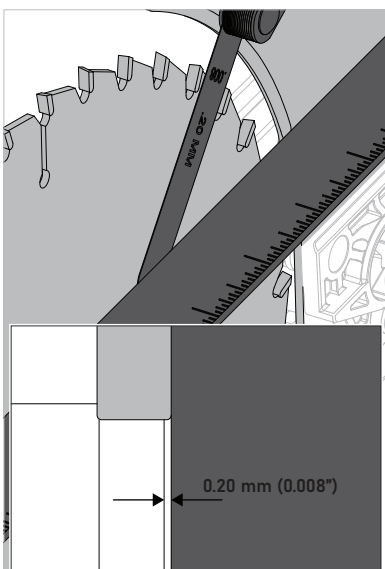
- Place a straight-edge against the riving knife and along side the blade plate (not against the teeth).



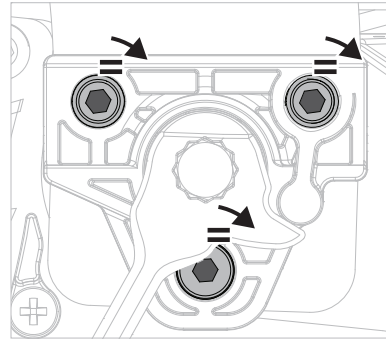
This illustration is as if looking directly down on the table and shows the gap between the straight-edge (A) and the blade plate (B), when the riving knife (C) is centered. The image also shows a tooth on the top of the blade (D) and a tooth on the bottom of the blade (E).



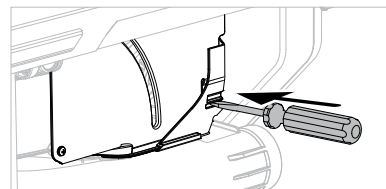
- To confirm alignment, use the feeler gauge to check the gap between the blade plate and the straight-edge. The gap should be 0.15 mm (0.006"). In this example, the gap is 0.20 mm (0.008"). This means the clamp has shifted to the right.



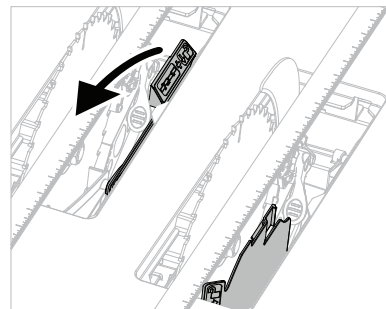
Turn the three clamp mount screws an equal amount to adjust the alignment of the clamp. In this case, you turn the screws clockwise to shift the clamp to the left.



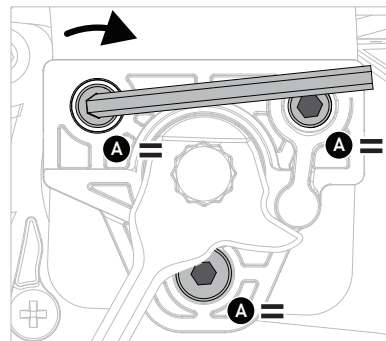
- For access to the lower screw, open the dust shroud door: use a flat-blade screwdriver or similar tool to release the latch.



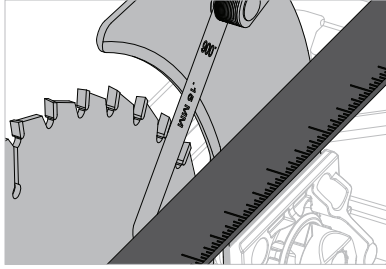
- Pivot the dust shroud door open.



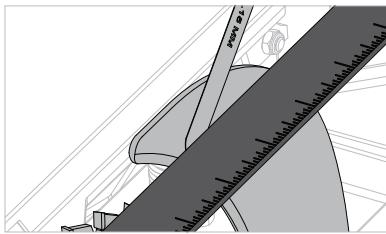
- Use the included 4 mm hex-key wrench to turn each screw (A) a small and equal amount clockwise.



8. Check the gap again. Turn the screws, as needed, until you reach the value of 0.15 mm (0.006"). Take care to turn each screw an equal amount.



9. Check the gap near the top of the riving knife. Lower the blade until the top of the riving knife is just above the top of the table. Again, make sure the straight-edge is resting against the body of the blade, not the teeth.



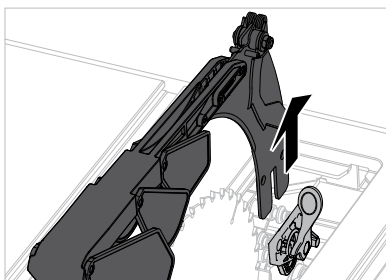
10. When finished, close the dust shroud door and install the insert.

How to the Adjust Clamping Force

The clamp handle should offer resistance as you rotate the handle down to lock the clamp, and the clamp should hold the spreader or riving knife firmly in place. With the clamp locked, you should not be able to shift the spreader or riving knife vertically within the clamp. At the same time, you should be able to rotate the clamp all the way down into the fully locked position. As needed, use the following procedure to adjust the clamping force.

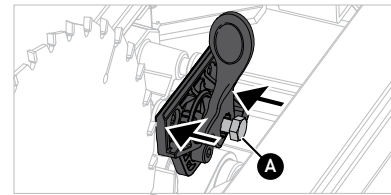
⚠ Always turn off and unplug the saw when working on or maintaining the saw.

1. With the elevation set to maximum and the insert removed, open the clamp, and then remove the blade guard or riving knife.

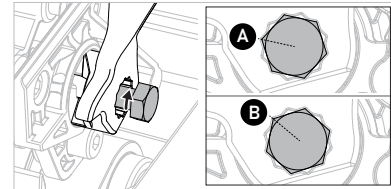


2. Push and hold the clamp handle and the clamp bracket to the left to expose the head (A) of the

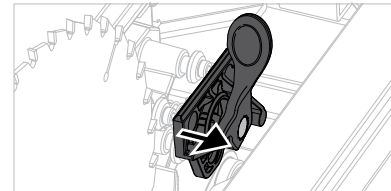
adjusting bolt.



3. If the clamp is too loose, tighten the adjusting bolt slightly by turning the bolt a small amount clockwise. In this example, the bolt is turned just one position relative to the notches in the clamp handle (A) (B).



4. Release the clamp so the spring pressure pushes the clamp handle back over the head of the adjusting bolt.



Install the blade guard or riving knife and check the clamping pressure. Adjust again, as needed.

If the clamp pressure is too loose, you will use the preceding steps but will turn the adjusting bolt counterclockwise.

How to Align the Blade to the Miter Slots

The alignment process consists of two procedures:

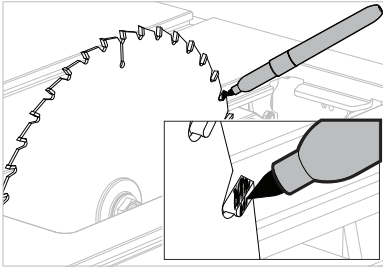
- Aligning the blade to the miter slots
- Aligning the rip fence to the miter slots (see page 43)

In this procedure, you align the blade to the miter slots. You can perform either procedure before the other—the order does not matter. Tools needed:

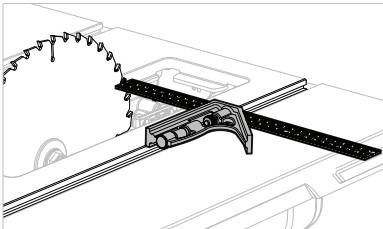
- Adjustable combination square
- Marker pen
- 10 mm socket or wrench
- 5 mm hex-key wrench
- Feeler gauge

⚠ Always turn off and unplug the saw when working on or maintaining the saw.

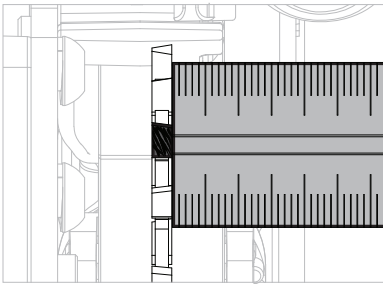
1. With the blade fully raised and the insert removed, mark one of the teeth at the back of the blade.



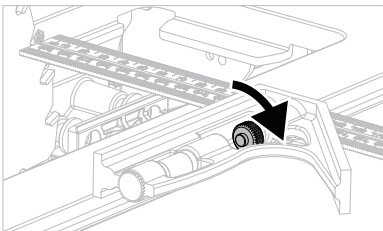
2. Loosen the locking knob on the combination square, and then place the square against the side of the right-hand miter slot near the back of the blade. Align the marked tooth and the end of the ruler.



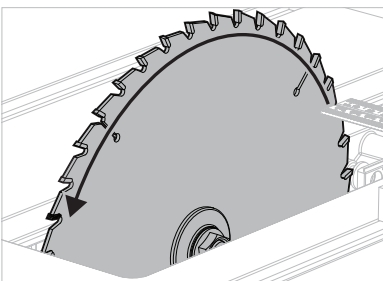
3. Slide the ruler against the side of the marked tooth. Use a light touch, do not deflect the blade.



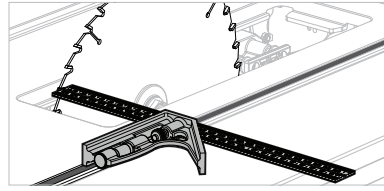
4. Tighten the locking knob on the combination square.



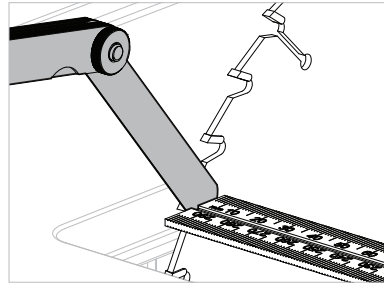
5. Rotate the blade so that the marked tooth is at the front of the blade.



6. Move the combination square so that the end of the ruler aligns with the marked tooth, holding the square firmly against the side of the miter slot.



7. If there is a gap, measure the gap with the feeler gauge. If 0.25 mm (0.010") or less, the alignment is within tolerance and no further work is required.



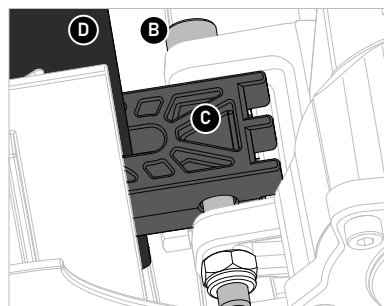
In this example, the gap is larger than 0.25 mm (0.010") and the blade alignment should be adjusted.

Carefully set the square aside.

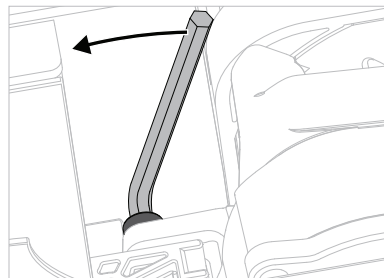
8. Remove the blade, and then fully lower the elevation mechanism.

Here's how the adjustment mechanism works:

- Turn the alignment adjustment bolt (B), which is threaded through the alignment block (C)
- The alignment block rests against the blade alignment bracket (D)
- Turning the bolt pushes the trunnion assembly right or left, which, in turn, shifts the blade.

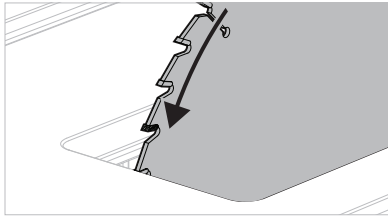


9. Use the 5 mm hex-key wrench to turn the alignment adjustment bolt a small amount.

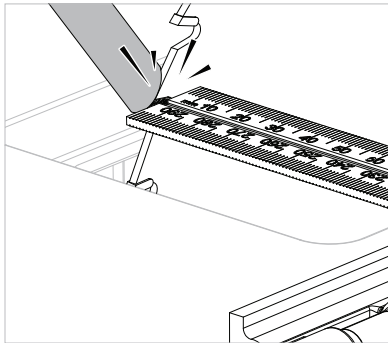


In this example, the bolt is turned clockwise (as if looking from the left side of the saw) to push the trunnion to the right, closing the measured gap.

10. Install the blade, tighten the arbor nut, and then rotate the marked tooth to the front.



11. Check the gap again. If less than 0.25 mm (0.010"), the blade is aligned. If the gap is still too large, repeat the steps, as needed.



In this example, the gap is completely closed.

How to Align the Rip Fence to the Miter Slots

⚠ Always turn off and unplug the saw when working on or maintaining the saw.

The alignment process consists of two procedures:

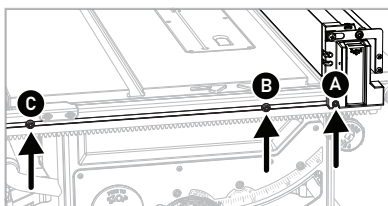
- Aligning the blade to the miter slots (see page 41)
- Aligning the rip fence to the miter slots

In this procedure, you align the rip fence to the miter slots. You can perform either procedure before the other—the order does not matter.

Tool needed:

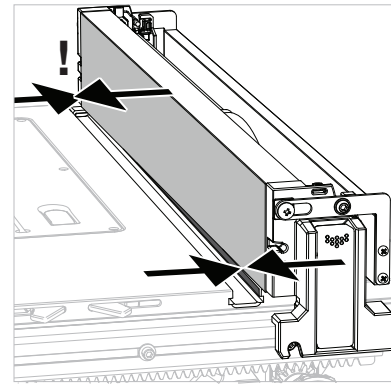
- 4 mm hex-key wrench

There are three sets of mounting lugs (A) (B) (C) on the front and rear rails. Begin by checking the right-hand lugs (A).



1. Mount the rip fence on the right-hand lugs.

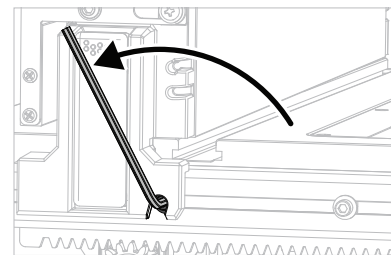
2. Adjust the rip fence until the rip fence is flush with the right-hand face of the miter slot.



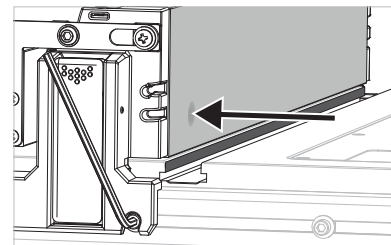
If the rip fence is flush along the entire length of miter slot, the rip fence is aligned to the table and no further work is required for this set of lugs.

In this example, the rip fence is misaligned such that the rip fence at the back of the table is angled in towards the blade.

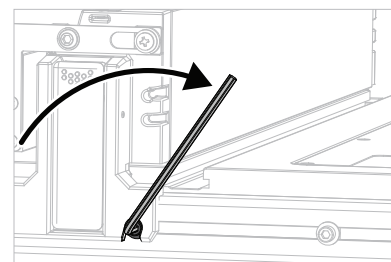
3. Use the 4 mm hex-key wrench to loosen the mounting lug on the rear rail.



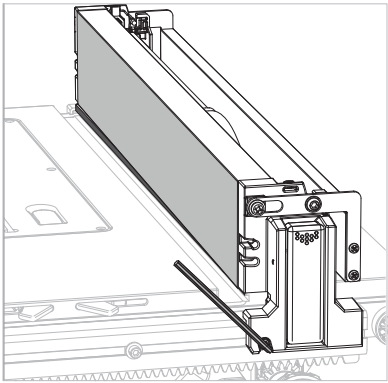
4. Shift the rear of the rip fence and the mounting lug to the left until the rip fence is aligned with the miter slot.



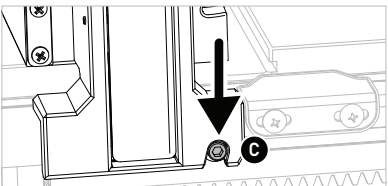
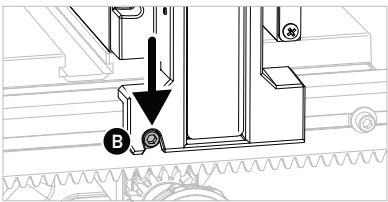
5. Tighten the mounting lug.



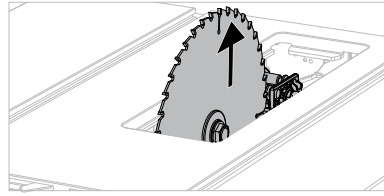
If the rip fence is misaligned in the other direction (the front of the rip fence is closer to the blade), use the previous steps in like manner to correct the misalignment.



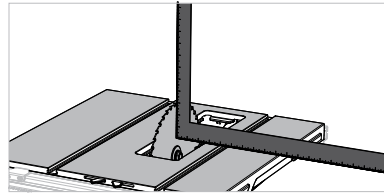
Repeat this process for the other two sets of lugs (B) (C).



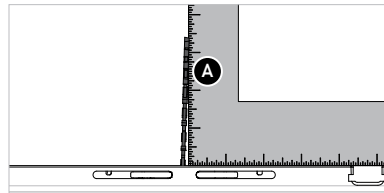
2. Remove the insert and set the blade to maximum elevation.



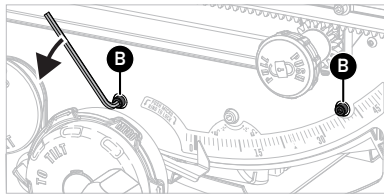
3. Place a square against the blade body (not against a tooth) and the table top.



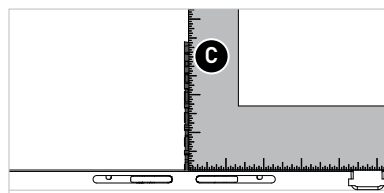
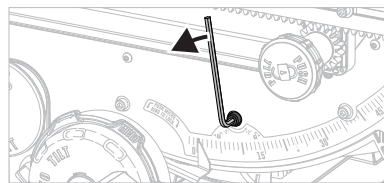
If the blade body is not flush against the square, continue with the following steps. In this example, the blade is tilted to the right (A).



4. Use the 4mm hex-key wrench to loosen the two bevel-lock nuts (B).



5. Turn the bevel cam clockwise or counterclockwise, as needed, to make the blade flush with the square. In this example, the cam is turned counterclockwise to shift the blade back to the left, perpendicular with the table (C).

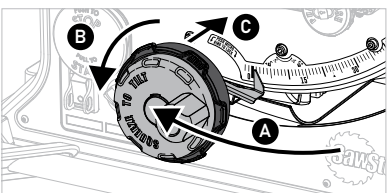


How to Calibrate Bevel

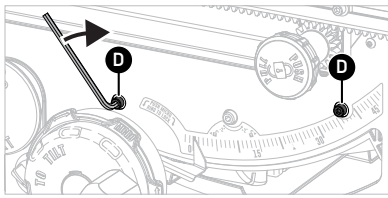
Use the following procedure to calibrate the blade bevel to the bevel scale. You will make sure the blade is square (90°) with the table top when the bevel is set to 0°, and that the bevel indicator is set to 0°. For best results, first install a new and high-quality blade.

⚠ Always turn off and unplug the saw when working on or maintaining the saw.

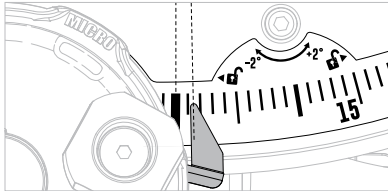
1. Set the bevel to 0° (A), and then turn the micro-bevel wheel counterclockwise until you feel a hard stop (B). Push the wheel in to lock the bevel (C).



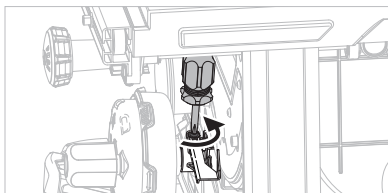
6. Tighten the lock nuts (D).



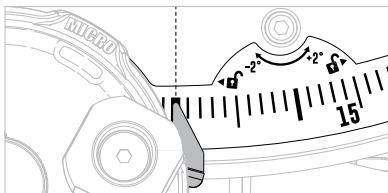
7. Confirm the bevel indicator is pointing to 0. In this example, the indicator is not pointing to 0.



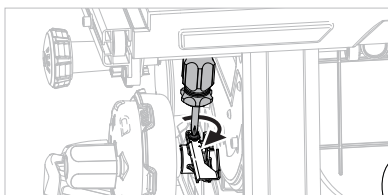
8. Loosen the screw for the indicator.



9. Shift the indicator to align with 0° on the bevel scale.

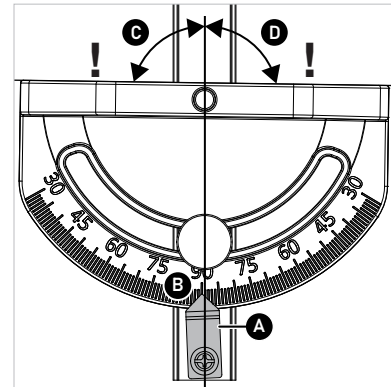


10. Tighten the screw for the indicator.



How to Calibrate the Miter Gauge

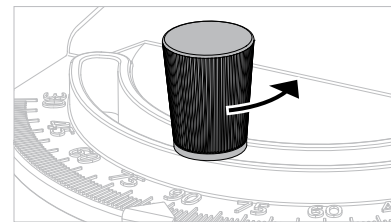
Confirm that the miter head, or scale, and pointer are correctly aligned with the guide rail of the miter gauge. In the following example, the pointer (A) has been knocked out of alignment, which means that the values on the scale will be incorrect, as referenced to the pointer; in this case, the scale is set to 90° (B) but the real angle is 89.18° (C) or 90.82° (D).



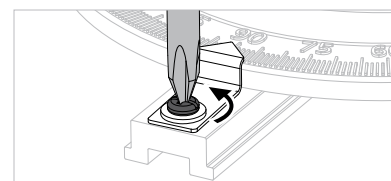
Tools needed:

- Phillips screwdriver
- Combination square

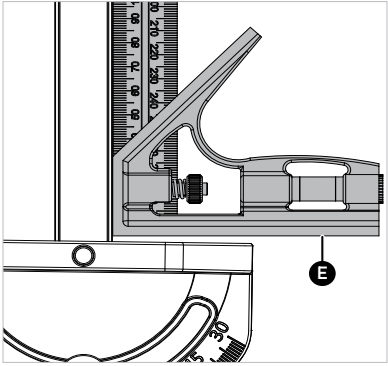
1. Loosen the locking knob.



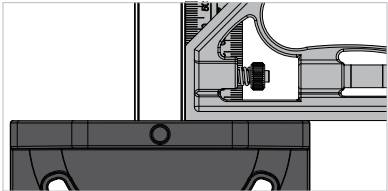
2. Loosen the screw for the pointer.



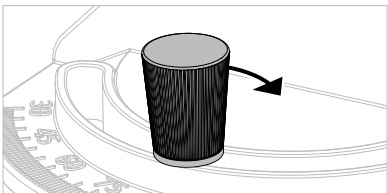
3. Loosen the locking knob on the combination square, slide the ruler so the end of the ruler is flush with bottom face of the anvil (E), and then hold the combination square against the side of the guide rail.



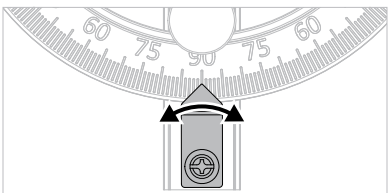
4. Slide the combination square against the miter head, and then pivot the head so it's flat against the anvil.



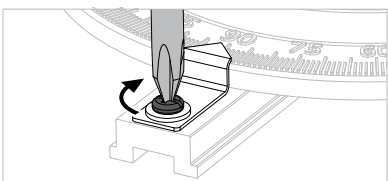
5. While holding the miter gauge and square firmly, tighten the locking knob.



6. Pivot the pointer so that it is aligned with the 90° mark on the miter scale.



7. Hold the pointer firmly, and then tighten the screw.



TROUBLESHOOTING

See the following table for troubleshooting information. If are not able to find a given problem and solution contact SawStop Service ([see page 56](#)).

PROBLEM	POSSIBLE CAUSE(S)	RECOMMENDATION
The motor will not start and both status lights on the switch box are off.	There is no power to the saw.	Make sure the electrical supply to the saw is on and that the correct voltage is being supplied.
	There is no brake cartridge installed in the saw.	Install the brake cartridge (see page 38).
	The brake cartridge is faulty.	Replace the brake cartridge with a new cartridge (see page 38).
The motor will not start: the power switch is on, the red status light on solid, the green status light is off.	The brake cartridge is faulty.	Replace the brake cartridge with a new cartridge (see page 38).
The motor starts slowly and/or fails to reach full operating speed.	The electrical supply voltage is too low.	Make sure the correct voltage is being supplied to the saw (see page 31).
The motor stopped unexpectedly during use but the brake did not activate.	The Start/Stop paddle was bumped.	Ensure the Start/Stop paddle is in the OFF position, and then restart the saw.
	The material being cut is overloading the safety detection system (e.g., green or wet wood).	Use a different wood or cut in Bypass Mode (see page 24).
	Electrical power to the system was lost, at least temporarily.	Ensure that the electrical supply to the saw is on and you are using the correct voltage (see page 31).
	The brake cartridge is faulty.	Replace the brake cartridge with a new cartridge (see page 24).
	Loose arbor nut	Check arbor nut tightness and tighten if necessary
Cannot turn the saw on in Bypass Mode.	The sequence for starting the saw in Bypass Mode was not completed.	Follow the steps for starting the saw in Bypass Mode (see page 24).
The brake activated, even though there was no accidental contact.	An electrically conductive material contacted the blade, arbor or arbor pulley.	Make sure no metal or other conductive material is touching the blade, arbor or pulley. Use Bypass Mode to cut conductive materials (see page 24).
	The spreader or riving knife came into contact with the blade.	Ensure that the spreader or riving knife is aligned and securely clamped in place. There should be a gap of 4–8 mm between the blade and the spreader or riving knife (see page 39).
	The blade made contact with the brake pawl.	Make sure there is a gap of 1.5 mm to 3 mm between the teeth of the blade and closest point on the brake cartridge. Use only a 10" blade (see page 30).



PROBLEM	POSSIBLE CAUSE(S)	RECOMMENDATION
The blade hits the brake pawl during installation.	The blade is the wrong size.	Use only a 10" blade (see page 30).
Cannot install the cartridge key.	The key is not rotated properly to align with the keyhole in the cartridge.	Rotate the key so that the handle is pointing directly toward the brake pawl.
	The shaft of the cartridge key is binding in the cartridge or on the cartridge bracket.	Try installing the key while pressing upward or downward on the key or cartridge.
Raising or lowering the blade feels or sounds rough.	The alignment block is worn.	Replace the alignment block.
The saw does not make accurate bevel cuts.	The bevel mechanism is not adjusted properly.	Adjust the bevel mechanism (see page 44).
	The bevel angle indicator is not adjusted properly.	Adjust the bevel angle indicator (see page 44).
Cannot remove the brake cartridge.	Retraction mechanism is not reset, blocking access to the brake cartridge.	Reset Retraction Mechanism by fully lowering the blade by turning the elevation wheel counterclockwise until it stops. You should hear the retraction mechanism snap back into the normal operating position.
	The cartridge key is still installed.	Remove the cartridge key.
	The cartridge is bound up on the mounting pins.	Pry the cartridge off the pins with the arbor nut wrench.
Cannot install the brake cartridge.	Retraction mechanism is not reset, blocking access to the brake cartridge.	Reset Retraction Mechanism by fully lowering the blade by turning the elevation wheel counterclockwise until it stops. You should hear the retraction mechanism snap back into the normal operating position.
	The holes in the brake cartridge shell are not aligned with the mounting pins.	Make sure the mounting holes in the brake cartridge are aligned with the mounting pins.
	There is debris on or around the mounting pins, or in the cartridge mounting holes.	Make sure the pins and mounting holes are clean and free of obstructions.
	The blade is interfering with the brake pawl.	Use only a 10" blade (see page 30).

PROBLEM	POSSIBLE CAUSE(S)	RECOMMENDATION
<p>Cannot remove the cartridge key.</p>	<p>Retraction mechanism is not reset, blocking access to the brake cartridge.</p>	<p>Reset Retraction Mechanism by fully lowering the blade by turning the elevation wheel counterclockwise until it stops. You should hear the retraction mechanism snap back into the normal operating position.</p>
	<p>The cartridge key is not turned to the UNLOCKED position.</p>	<p>Turn the key clockwise until it stops.</p>
	<p>The shaft of the cartridge key is binding in the cartridge or on the cartridge mounting bracket.</p>	<p>Try turning and removing the key while pressing upward or downward on the key or cartridge.</p>
<p>Wrenches, Arbor Nut, or Arbor Washer in the saw mechanism</p>	<p>Tools or parts dropped during blade or cartridge change process or adjustment.</p>	<p>Open access door to retrieve parts. Tilt saw to dump parts / wrenches out dust exhaust port. DO NOT START the saw before all parts have been removed. Leaving parts in the saw body might damage the product or trigger and unintended activation.</p>

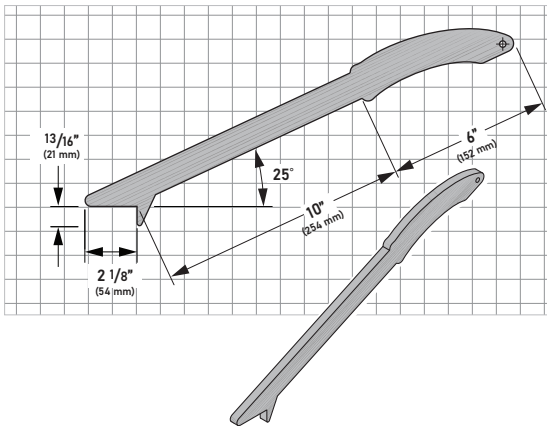
WORK HELPERS

This section shows you how to make several accessories that help ensure effective and safe cutting. Each tool is constructed from wood. Grid squares in each of the following illustrations are 1" (25.4 mm).

How to Make a Push Stick

Your Compact Table Saw comes with a push stick but you can also construct a replacement. The stock push stick is available for purchase from SawStop as well (see page 56).

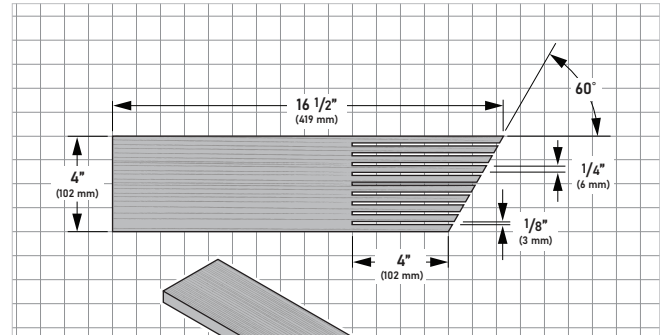
- Use a non-conductive material, for example, scrap wood
- 1/2" - 3/4" (12.7 mm - 19 mm) thick
- Use a push stick when ripping pieces narrower than 6" (152 mm)



How to Make a Featherboard

Use featherboards to help maintain or secure the position of the workpiece relative to the table and rip fence (see page 28). Grid squares in the following illustration are 1" (25.4 mm).

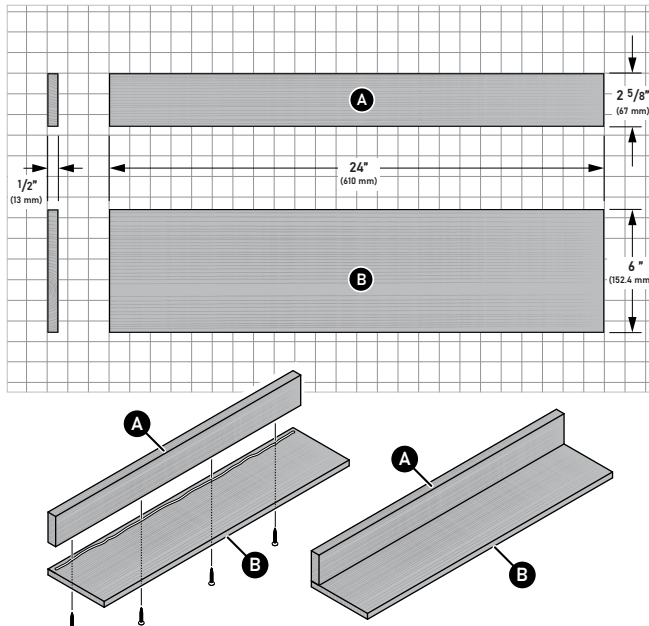
- 3/4" (12.7 mm) thick
- Use a quality wood without knots
- Do not use when cutting with the miter gauge



How to an Make Auxiliary Fence

Your Compact Table Saw comes with a low fence (see page 17) built into the rip fence to facilitate narrow rip cuts (less than 2" [51 mm] wide) or to cut workpieces less than 2 mm thick. If you choose, you can also construct an auxiliary fence from wood. Use the auxiliary fence in conjunction with the push block (see page 51). Pieces A and B are 1/2" (12/7 mm) thick. Grid squares in the following illustration are 1" (25.4 mm).

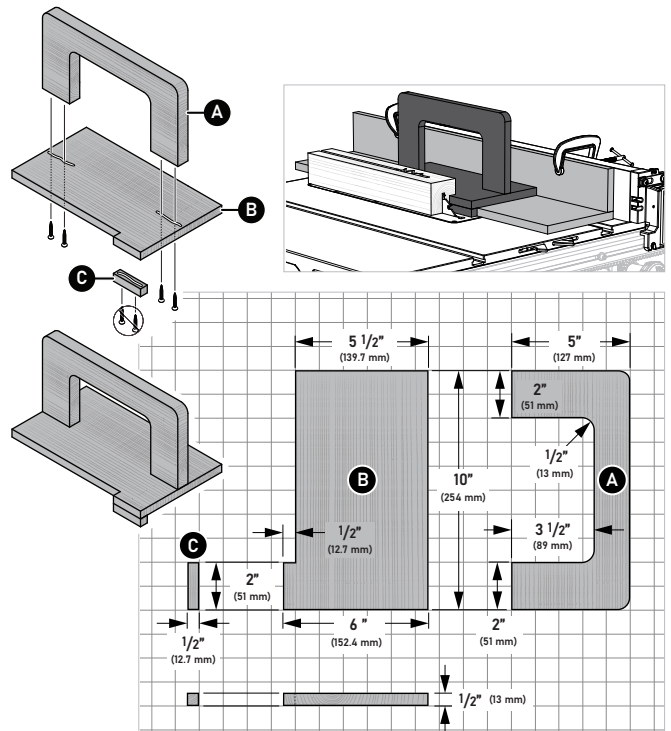
- Attach part A to part B using wood screws and wood glue.



How to Make a Push Block

Your Compact Table Saw comes with a low fence (see page 17) built into the rip fence to facilitate narrow rip cuts (less than 2" [51 mm] wide) and to cut workpieces that are thinner than 2 mm. If you choose, you can also construct an auxiliary fence (see page 50) from wood. Use the push block with the auxiliary fence. Pieces B and C are 1/2" (12.7 mm) thick. Grid squares in the following illustration are 1" (25.4 mm).

- Attach part A to part B using wood screws and wood glue.
- Attach part C to part B using wood glue only (do not use metal fasteners).



INDEX

A

Accessories **12**
Accessory Stacking Order - See Accessories
Across Grain - See Cross Cut
Activation - See What to do After Brake Activation
Adjustable Mounting Lugs **17**
Adjust Insert, How **36**
Adjust Spreader or Riving Knife **40**
Align Blade to Miter Slots, How **42**
Align Rip Fence to Miter Slots, How **44**
Anti-kickback Pawls, Inspect **35**
Assemble Blade Guard **18**
Auxiliary Fence **50** - See also Work Helpers

B

Bevel - See Blade Control
Bill of Materials - See Exploded Views & Parts Lists
Blade Coating - See Blade Requirements
Blade Control **15**
Blade Diameter - See Blade Requirements
Blade Guard **14** - See also Kickback, Anti-Kickback
Features & Precautions
Blade Guard, Assemble - See Assemble Blade Guard
Blade Guard, Inspect **35**
Blade Height - See Blade Control
Blade, How to Change **37**
Blade, How to Stop - See Stop Saw, How
Blade, Non-Conductive - See Blade Requirements
Blade Requirements **30**
Blade Shoulders - See Blade Requirements
Blade Slot - See Zero-Clearance Insert
Blade Specifications - See Blade Requirements
Blade Speed - See Blade Requirements
Blade Stalled - See Stalling, Restart
Blade Thickness - See Blade Requirements
BoM - See Exploded Views & Parts Lists
Brake Activation - See What to do After Brake Activation
Brake Cartridge **12**
Brake Cartridge, But - See User-Replaceable Parts
Brake Cartridge Fired - See What to do After Brake
Activation
Brake Cartridge, When to Replace - See Replace Cartridge
Buy Parts - See User-Replaceable Parts
Bypass Mode **24**
Bypass Mode, Prevent **25**

C

Calibrate Miter Gauge, Calibrate **46**
Calibrate Tilt, How **45**
Care for Your Saw **33**
Cartridge, When to Replace - See Replace Cartridge
Change Blade - See Blade, How to Change
Clamping Force for Blade Guard, How to Adjust **42**
Cleaning - See Keep Motor Housing & Trunnion Housing
Clean
Coating - See Blade Requirements
Conductive Materials **24** - See also Bypass Mode
Conductivity - See Conductive Materials
Cross Cut **26**

Cutting Width - See Rip Width, How to Set
Cut Types **25**

D

Decals - See Labels
Depth-Limiting Shoulders - See Blade Requirements
Dimensions **30**
Dogs - See Micro Guard & Anti-Kickback Pawls
Dust Collection - See Dust Collector, Attach
Dust Collector, Attach **20**
Dust Collector, Clean **33**

E

Electrical Connection - See Grounded Connection
Electrical Specifications **31**
Emergency Stop - See Stop Saw, How
Error Light - See Status Lights & Codes
Extension - See Miter Gauge Extension, How to Make
Extension Cord Recommendations **32**

F

Fault Code - See Status Lights & Codes
Featherboard **50** - See also Work Helpers
Featherboards, How to Attach - See Plunge Cut
Fence, Adjust Placement - See Adjustable Mounting Lugs
Fence, Change Placement - See Adjustable Mounting Lugs
Fence, How to Place - See Place Fence
Fence Stops **17**
Fence, Store - See Store Fence
Footprint - See Dimensions

G

Gloves - See Personal Protective Equipment (PPE)
Grooving Cut **29**
Grounded Connection **32**

H

How to Get Help **56**

I

Insert - See Zero-Clearance Insert
Insert, Adjust **36**
Insert, Cut Slot in Replacement Insert **36**
Integrated Blade Control **15**

K

Keep Motor Housing & Trunnion Housing Clean **33**
Kerf - See Blade Requirements; See also Adjust Spreader
or Riving Knife
Kickback - See Splitter; See Spreader; See Blade Guard
Kickback, Anti-Kickback Features & Precautions **18**

L

Lacquer, Blade Coating - See Blade Requirements
Level the Saw - See Solid & Level
Lockout **13**
Lock Saw - See Lockout
Logo - See Labels
Low Fence **17**
Low Fence, How to Use **23**



M

Maintenance – See Care for Your Saw
Malfunction – See Status Lights & Codes
Material, Permitted – See Workpiece Material Requirements
Measure – See Ruler, How to Use
Metal, Cutting – See Workpiece Material Requirements
Miter Gauge **26** – See also Cross Cut
Miter Gauge vs. Rip Fence – See Rip Cuts and Cross Cuts
Modes – See Normal Mode & Standby Mode

N

Non-Conductive Blades **10**
Non-Through Cut **28**
Normal Mode & Standby Mode **13**

O

Operation Modes – See Normal Mode & Standby Mode

P

Parts, Buy – See User-Replaceable Parts
Parts Lists – See Exploded Views & Parts Lists
Personal Protective Equipment (PPE) **20**
Place Fence **16**
Plug Type – See Electrical Specifications
Plunge Cut **28**
Power Controls **13**
Power Cord **33**
PPE – See Personal Protective Equipment (PPE)
Push Block **51** – See also Work Helpers
Push Stick **50, 51** – See also Work Helpers

R

RCD or GFCI **32**
Replace Cartridge **21**
Replacement Parts – See How to Get Help
Reset Retraction Mechanism **39**
Retraction Mechanism – See Reset Retraction Mechanism
Rip Cut **26**
Rip Cuts and Cross Cuts **25**
Rip fence – See Rip Cut
Rip Fence **25**
Rip Fence, Adjust Placement – See Adjustable Mounting Lugs
Rip Fence, Change Placement – See Adjustable Mounting Lugs
Rip Fence, How to Place – See Place Fence
Rip Fence, Store – See Store Fence
Rip Fence vs. Miter Gauge – See Rip Cuts and Cross Cuts
Rip Width, How to Set **22**
Rip Width, Maximum – See Workpiece Parameters
Riving Knife **14** – See Spreader; See Splitter; See Kickback, Anti-Kickback Features & Precautions
Ruler, How to Use **22**

S

Safety **4**
Safety System, About – See SawStop Safety System
SawStop Safety System **9**
Scale – See Ruler, How to Use
Serviceable Parts – See User-Replaceable Parts
Service Questions – See How to Get Help
Shelf **17**

Shelf, How to Use **23**
Shoulders – See Blade Requirements
Side Guards, Inspect **35**
Solid & Level **16**
Specifications **30**
Speed, Blade – See Blade Requirements
Splitter – See Spreader; See also Riving Knife; See also Kickback, Anti-Kickback Features & Precautions
Spreader – See also Riving Knife; See also Kickback, Anti-Kickback Features & Precautions
Spreader or Riving Knife, How to adjust **40**
Stall – See Stalling, Restart
Stalling, Restart **24**
Stand (Optional) **13**
Start Saw, How **23**
Status Lights & Codes **21**
Stickers – See Labels
Stop Saw, How **24**
Storage – See Accessories
Store Fence **17**

T

Technical Assistance – See How to Get Help
Thickness, Maximum – See Workpiece Parameters
Thin Cuts – See Low Fence; See Push Block
Throat Cover – See Zero-Clearance Insert
Tilt – See Bevel
Tools Needed for Maintenance **33**
Touched Spinning Blade – See What to do After Brake Activation
Troubleshooting **48**
Turn Off Saw – See Stop Saw, How
Turn on saw – See Start Saw, How

W

Warranty **3**
Weight of Saw – See Specifications
Wet, Pressure-Treated Wood **10**
What to do After Brake Activation **39**
Wide Support – See Shelf
With Grain – See Rip Cut
Wood Dust **4**
Wood Thickness, Maximum – See Workpiece Parameters
Work Helpers **50**
 Auxiliary Fence **50**
 Featherboard **50**
 Push Block **51**
 Push Stick **50, 51**
Workpiece Material Requirements **31**
Workpiece Parameters **31**

Z

Zero-Clearance Insert **14**

Notes



Notes



CONTACT US:

Main	503.570.3200 or 1.866.729.7867	info@sawstop.com
Technical Support (Service)	503.582.9934	service@sawstop.com
Parts	503.486.6923	parts@sawstop.com
Sales	503.595.2665	sales@sawstop.com



Our technical support team is standing by
Monday-Friday, 7am-5pm Pacific Time
to help with whatever you need.

You can access this manual, exploded views and parts lists at:

[SawStop.com/CTSupport](https://www.sawstop.com/CTSupport)

Visit the parts store at.

<https://www.sawstopstore.com>

If your saw is out of warranty shipping costs will be lower if you use the parts store.

SawStop, LLC
11555 SW Myslony Street, Tualatin, Oregon 97062 USA

4th Printing November 2022

